

Electronic proportional regulator - Series PRE

Product code: PRE238-ED5E4E-00-OX1

Datasheet creation date: 10/03/2025 10:42

Check the most updated document online [click here](#)

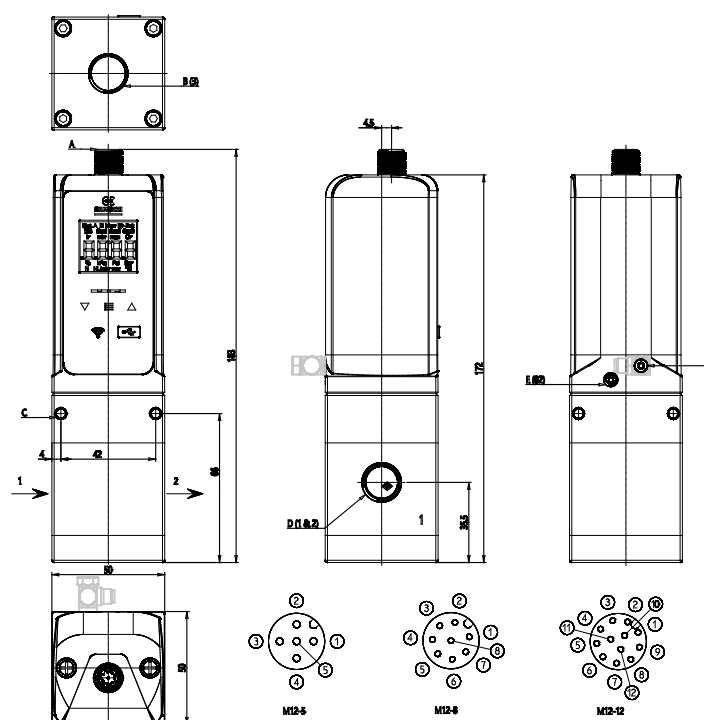


TECHNICAL DATA

Series	PRE
Size	2 = Size 2
Connections	38 = G3/8
Display	E = Without display
Pressure	D = 0-10,3 bar
Function	5 = Standard, 3/2 version, NC, with port 3 and pilot exhaust not conveyable
Piloting	E = External
Command signal	4 = 4-20 mA
Feedback signal	E = Error signal
Cable length	00 = No cable
Diagnostics	= without diagnostics
Certifications	OX1 = Suitable for oxygen

Electronic proportional regulator - Series PRE

Product code: PRE238-ED5E4E-00-OX1



DIMENSIONS

Series	PRE
Size	2 = Size 2
Connections	38 = G3/8
Display	E = Without display
Pressure	D = 0-10,3 bar
Function	5 = Standard, 3/2 version, NC, with port 3 and pilot exhaust not conveyable
Piloting	E = External
Command signal	4 = 4-20 mA
Feedback signal	E = Error signal
Cable length	00 = No cable
Diagnostics	= without diagnostics
Certifications	OX1 = Suitable for oxygen