

## Electronic proportional regulator - Series PRE

Product code: PRE238-EF5I4E-00-OX1

Datasheet creation date: 10/03/2025 10:42

Check the most updated document online [click here](#)

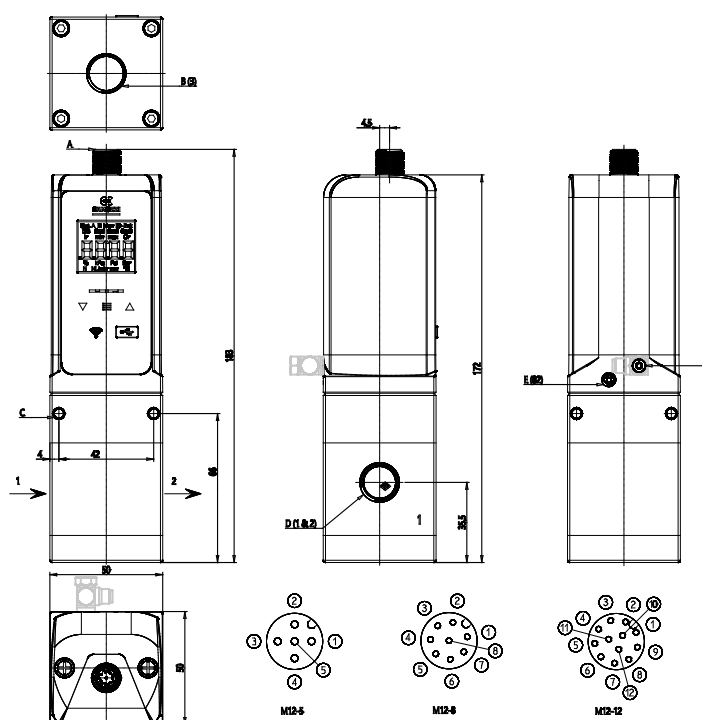


### TECHNICAL DATA

<b>Series</b>	PRE
<b>Size</b>	2 = Size 2
<b>Connections</b>	38 = G3/8
<b>Display</b>	E = Without display
<b>Pressure</b>	F = 0-6 bar
<b>Function</b>	5 = Standard, 3/2 version, NC, with port 3 and pilot exhaust not conveyable
<b>Piloting</b>	I = Internal
<b>Command signal</b>	4 = 4-20 mA
<b>Feedback signal</b>	E = Error signal
<b>Cable length</b>	00 = No cable
<b>Diagnostics</b>	= without diagnostics
<b>Certifications</b>	OX1 = Suitable for oxygen

## Electronic proportional regulator - Series PRE

Product code: PRE238-EF5I4E-00-OX1



### DIMENSIONS

<b>Series</b>	PRE
<b>Size</b>	2 = Size 2
<b>Connections</b>	38 = G3/8
<b>Display</b>	E = Without display
<b>Pressure</b>	F = 0-6 bar
<b>Function</b>	5 = Standard, 3/2 version, NC, with port 3 and pilot exhaust not conveyable
<b>Piloting</b>	I = Internal
<b>Command signal</b>	4 = 4-20 mA
<b>Feedback signal</b>	E = Error signal
<b>Cable length</b>	00 = No cable
<b>Diagnostics</b>	= without diagnostics
<b>Certifications</b>	OX1 = Suitable for oxygen