

parallel connection kit - Mod. PS

Product code: PS-5E-50-0560

Datasheet creation date: 07/03/2025 15:40

Check the most updated document online [click here](#)

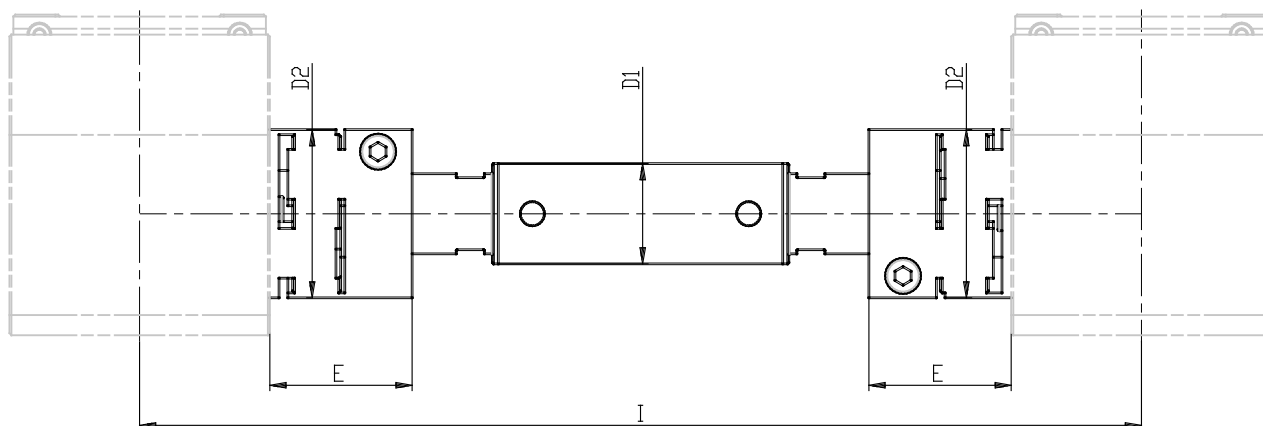


TECHNICAL DATA

| | |
|-------------|----------|
| Mod. | PS-5E-50 |
| Size | 50 |

parallel connection kit - Mod. PS

Product code: PS-5E-50-0560



DIMENSIONS

| | |
|----------------|------|
| I (mm) | 560 |
| D1 (mm) | 16 |
| D2 (mm) | 32 |
| E (mm) | 26.0 |