

## Cylinders with integrated guide - Series QCT QCB

Product code: QCB2A025A025

Datasheet creation date: 09/03/2025 23:08

Check the most updated document online [click here](#)

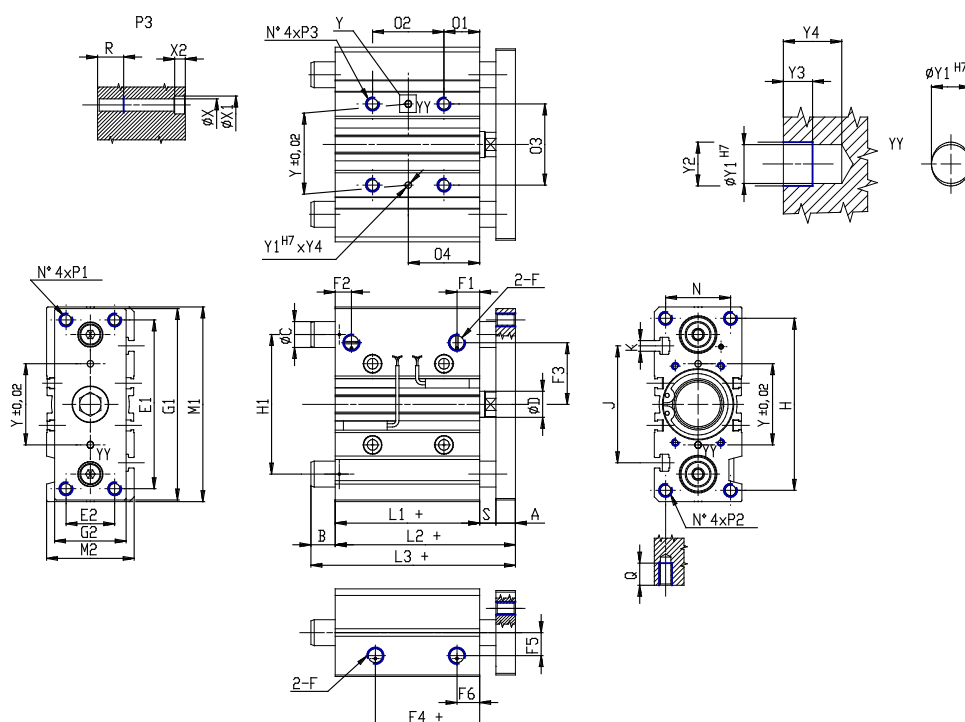


### TECHNICAL DATA

<b>Series</b>	QC
<b>Version</b>	B = linear ball bearings
<b>Operation</b>	2 = double acting
<b>Materials</b>	A = anodized aluminium body rolled stainless steel 303 piston rod hardened steel C50 columns for QCB
<b>Diameter (mm)</b>	25
<b>Construction</b>	A = standard
<b>Stroke type</b>	intermediate
<b>Stroke (mm)</b>	25

## Cylinders with integrated guide - Series QCT QCB

Product code: QCB2A025A025



### DIMENSIONS

L3 (mm)	74.5
C (mm)	12
B (mm)	21.0
O2 (mm)	24
O4 (mm)	29
A (mm)	10
D (mm)	12
E1 (mm)	78
E2 (mm)	26
F	G 1/8
F1 (mm)	11.5
F2 (mm)	8.0
F3 (mm)	28.5
F4 (mm)	12.5
F5 (mm)	13.5
F6 (mm)	11.5
G1 (mm)	91
G2 (mm)	40
H (mm)	82
H1 (mm)	64
L1 (mm)	37.5
L2 (mm)	53.5
M1 (mm)	93

M2 (mm)	42
N (mm)	30
O1 (mm)	17
O3 (mm)	34
P1	M6x1
P2	M6x1
P3	M6x1
Q (mm)	15
R (mm)	12
heavy (mm)	6
Y (mm)	34
Y1 (mm)	4
Y2 (mm)	4.5
Y3 (mm)	3
Y4 (mm)	6
X (mm)	5.5
X1 (mm)	9
X2 (mm)	5.0
J (mm)	50
K	M5