

Cylinders with integrated guide - Series QCT QCB

Product code: QCB2A025A125

Datasheet creation date: 09/03/2025 23:09

Check the most updated document online [click here](#)

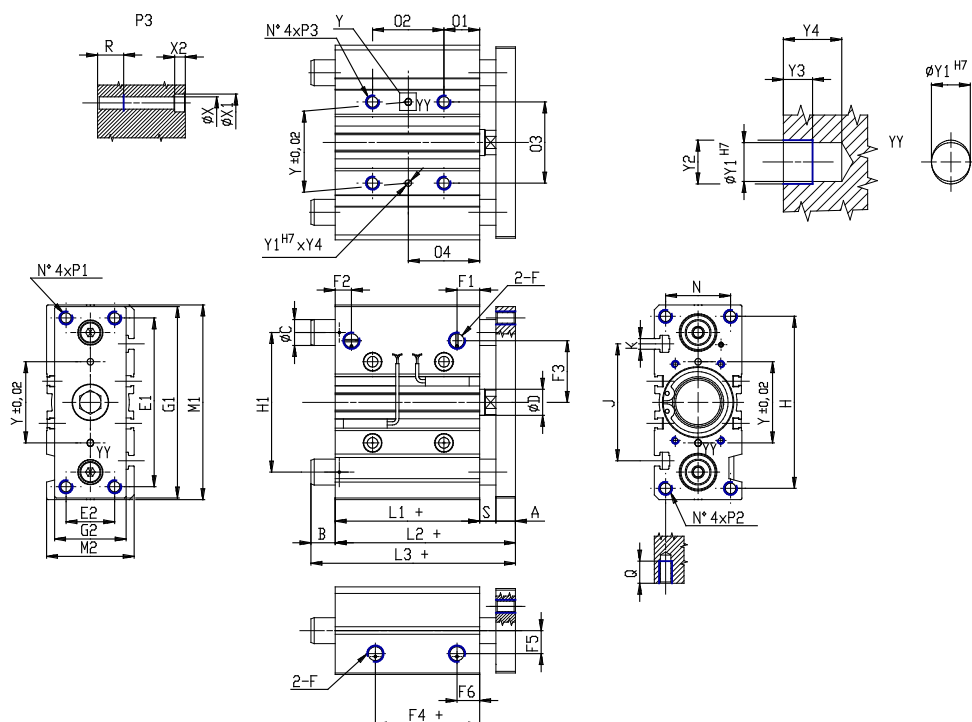


TECHNICAL DATA

Series	QC
Version	B = linear ball bearings
Operation	2 = double acting
Materials	A = anodized aluminium body rolled stainless steel 303 piston rod hardened steel C50 columns for QCB
Diameter (mm)	25
Construction	A = standard
Stroke type	standard
Stroke (mm)	125

Cylinders with integrated guide - Series QCT QCB

Product code: QCB2A025A125



DIMENSIONS

L3 (mm)	98.0
C (mm)	12
B (mm)	44.5
O2 (mm)	120
O4 (mm)	77
A (mm)	10
D (mm)	12
E1 (mm)	78
E2 (mm)	26
F	G 1/8
F1 (mm)	11.5
F2 (mm)	8.0
F3 (mm)	28.5
F4 (mm)	12.5
F5 (mm)	13.5
F6 (mm)	11.5
G1 (mm)	91
G2 (mm)	40
H (mm)	82
H1 (mm)	64
L1 (mm)	37.5
L2 (mm)	53.5
M1 (mm)	93

M2 (mm)	42
N (mm)	30
O1 (mm)	17
O3 (mm)	34
P1	M6x1
P2	M6x1
P3	M6x1
Q (mm)	15
R (mm)	12
heavy (mm)	6
Y (mm)	34
Y1 (mm)	4
Y2 (mm)	4.5
Y3 (mm)	3
Y4 (mm)	6
X (mm)	5.5
X1 (mm)	9
X2 (mm)	5.0
J (mm)	50
K	M5