

## Cylinders with integrated guide - Series QCT QCB

Product code: QCB2A050A020

Datasheet creation date: 09/03/2025 23:10

Check the most updated document online [click here](#)

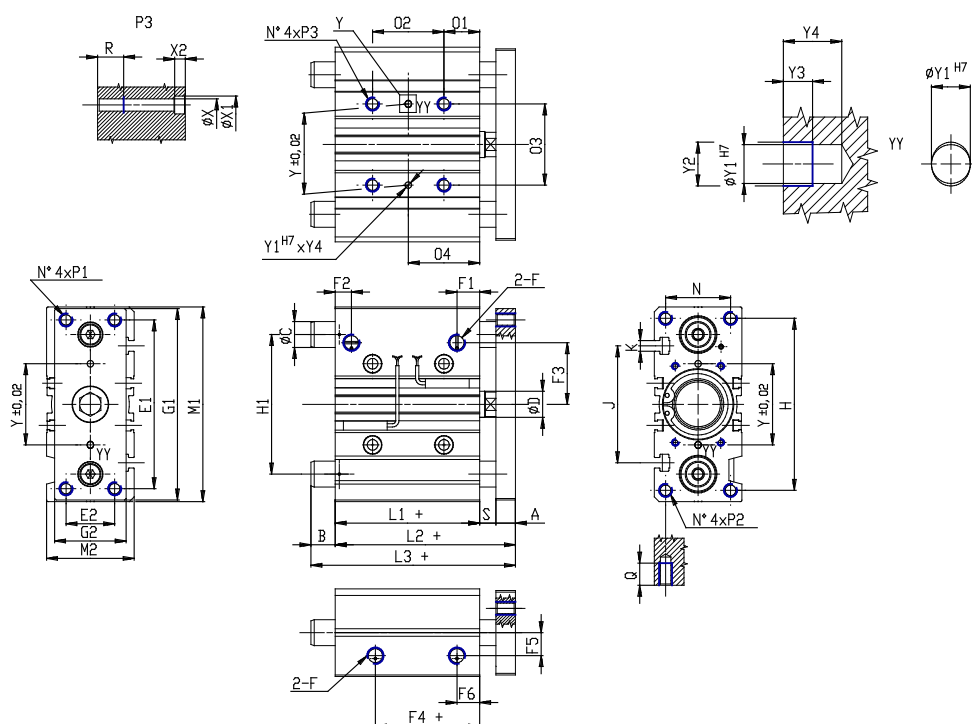


### TECHNICAL DATA

<b>Series</b>	QC
<b>Version</b>	B = linear ball bearings
<b>Operation</b>	2 = double acting
<b>Materials</b>	A = anodized aluminium body rolled stainless steel 303 piston rod hardened steel C50 columns for QCB
<b>Diameter (mm)</b>	50
<b>Construction</b>	A = standard
<b>Stroke type</b>	intermediate
<b>Stroke (mm)</b>	20

## Cylinders with integrated guide - Series QCT QCB

Product code: QCB2A050A020



### DIMENSIONS

L3 (mm)	93.0
C (mm)	20
B (mm)	21.0
O2 (mm)	24
O4 (mm)	36
A (mm)	15
D (mm)	20
E1 (mm)	130
E2 (mm)	40
F	G 1/4
F1 (mm)	14.0
F2 (mm)	11.0
F3 (mm)	47.0
F4 (mm)	8.0
F5 (mm)	21.5
F6 (mm)	12.0
G1 (mm)	146
G2 (mm)	60
H (mm)	130
H1 (mm)	110
L1 (mm)	44.0
L2 (mm)	72.0
M1 (mm)	148

M2 (mm)	64
N (mm)	46
O1 (mm)	46
O3 (mm)	66
P1	M10x1.5
P2	M10x1.5
P3	M10x1.5
Q (mm)	22
R (mm)	20
heavy (mm)	13
Y (mm)	66
Y1 (mm)	5
Y2 (mm)	6.0
Y3 (mm)	4
Y4 (mm)	8
X (mm)	8.5
X1 (mm)	14
X2 (mm)	8.5
J (mm)	92
K	M8