

## Cylinders with integrated guide - Series QCT QCB

Product code: QCB2A050A040

Datasheet creation date: 09/03/2025 23:10

Check the most updated document online [click here](#)

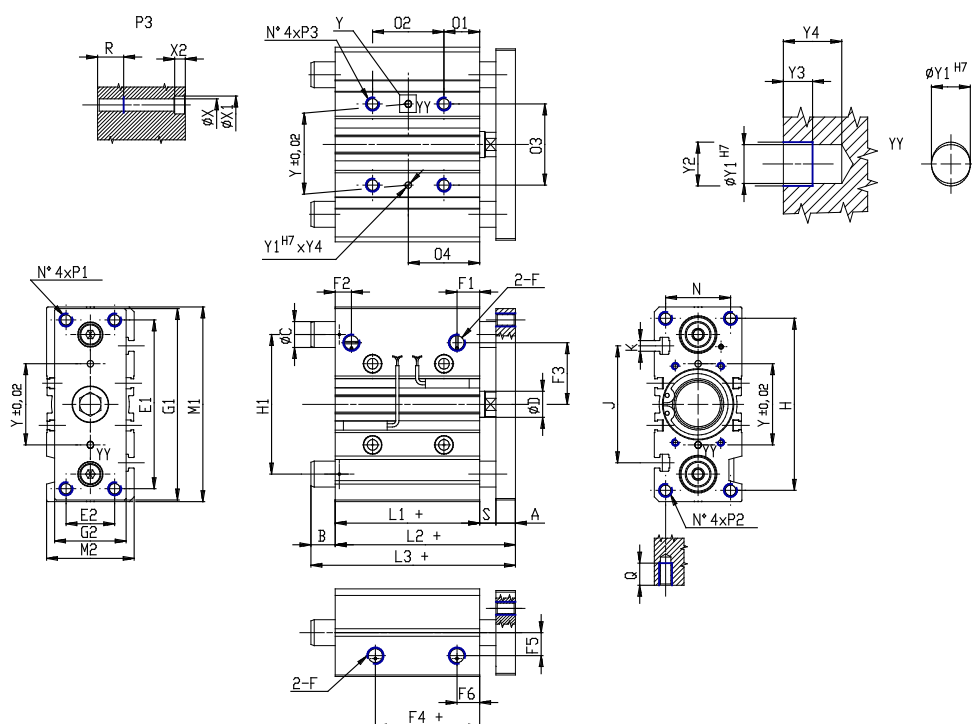


### TECHNICAL DATA

<b>Series</b>	QC
<b>Version</b>	B = linear ball bearings
<b>Operation</b>	2 = double acting
<b>Materials</b>	A = anodized aluminium body rolled stainless steel 303 piston rod hardened steel C50 columns for QCB
<b>Diameter (mm)</b>	50
<b>Construction</b>	A = standard
<b>Stroke type</b>	intermediate
<b>Stroke (mm)</b>	40

## Cylinders with integrated guide - Series QCT QCB

Product code: QCB2A050A040



### DIMENSIONS

<b>L3 (mm)</b>	93.0
<b>C (mm)</b>	20
<b>B (mm)</b>	21.0
<b>O2 (mm)</b>	48
<b>O4 (mm)</b>	48
<b>A (mm)</b>	15
<b>D (mm)</b>	20
<b>E1 (mm)</b>	130
<b>E2 (mm)</b>	40
<b>F</b>	G 1/4
<b>F1 (mm)</b>	14.0
<b>F2 (mm)</b>	11.0
<b>F3 (mm)</b>	47.0
<b>F4 (mm)</b>	8.0
<b>F5 (mm)</b>	21.5
<b>F6 (mm)</b>	12.0
<b>G1 (mm)</b>	146
<b>G2 (mm)</b>	60
<b>H (mm)</b>	130
<b>H1 (mm)</b>	110
<b>L1 (mm)</b>	44.0
<b>L2 (mm)</b>	72.0
<b>M1 (mm)</b>	148

<b>M2 (mm)</b>	64
<b>N (mm)</b>	46
<b>O1 (mm)</b>	46
<b>O3 (mm)</b>	66
<b>P1</b>	M10x1.5
<b>P2</b>	M10x1.5
<b>P3</b>	M10x1.5
<b>Q (mm)</b>	22
<b>R (mm)</b>	20
<b>heavy (mm)</b>	13
<b>Y (mm)</b>	66
<b>Y1 (mm)</b>	5
<b>Y2 (mm)</b>	6.0
<b>Y3 (mm)</b>	4
<b>Y4 (mm)</b>	8
<b>X (mm)</b>	8.5
<b>X1 (mm)</b>	14
<b>X2 (mm)</b>	8.5
<b>J (mm)</b>	92
<b>K</b>	M8