

## Series QCTF-QCBF - Cylinders with integrated guide

Product code: QCBF2A040A050

Datasheet creation date: 09/03/2025 23:07

Check the most updated document online [click here](#)

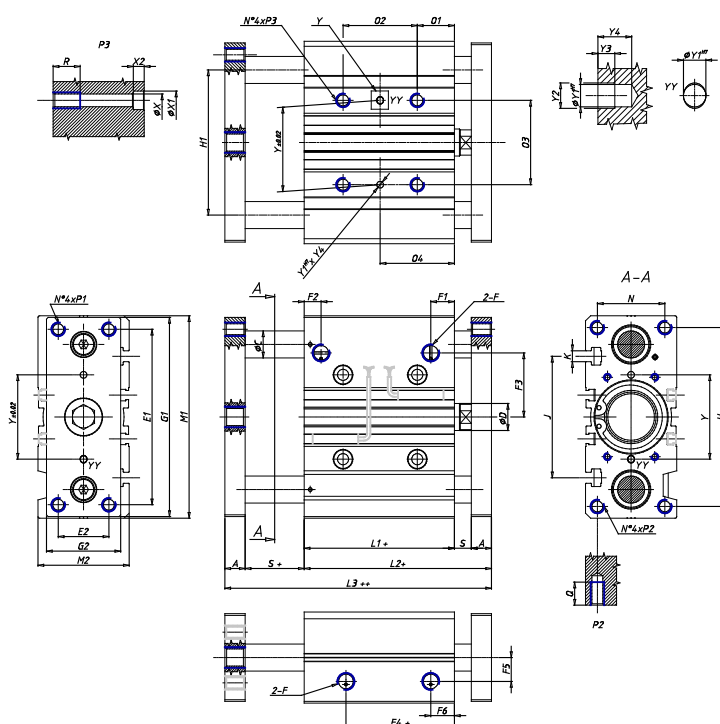


### TECHNICAL DATA

<b>Series (mm)</b>	QC
<b>Diameter (mm)</b>	40
<b>Type of bearing</b>	B = linear ball bearings
<b>Version</b>	F = body mounted with moving flanges
<b>Operation</b>	2 = double - acting
<b>Materials</b>	A = anodized aluminium body rolled stainless steel 303 piston rod hardened steel C50 columns for QCB
<b>Cushion</b>	A = fixed mechanical cushion (standard)
<b>Stroke type</b>	standard
<b>Stroke (mm)</b>	50

## Series QCTF-QCBF - Cylinders with integrated guide

Product code: QCBF2A040A050



### DIMENSIONS

C (mm)	16
O2 (mm)	48
O4 (mm)	46
A (mm)	12
D (mm)	16
E1 (mm)	104
E2 (mm)	30
F	G 1/8
F1 (mm)	13.0
F2 (mm)	12.0
F3 (mm)	38.0
F4 (mm)	13.0
F5 (mm)	18.0
F6 (mm)	13.0
G1 (mm)	118
G2 (mm)	45
G3 (mm)	-
H (mm)	106
H1 (mm)	86
L1 (mm)	44.0
L2 (mm)	66.0
L3 (mm)	88.0
M1 (mm)	120

M2 (mm)	54
N (mm)	40
O1 (mm)	22
O3 (mm)	50
P1	M8x1.25
P2	M8x1.25
P3	M8x1.25
Q (mm)	20
R (mm)	16
S (mm)	10
T (mm)	-
U (mm)	-
Y (mm)	50
Y1 (mm)	4
Y2 (mm)	4.5
Y3 (mm)	3
Y4 (mm)	6
X (mm)	6.5
X1 (mm)	11
X2 (mm)	6.5
J (mm)	72
K	M6