

## Series QCTF-QCBF - Cylinders with integrated guide

Product code: QCBF2A040C050

Datasheet creation date: 09/03/2025 23:07

Check the most updated document online [click here](#)

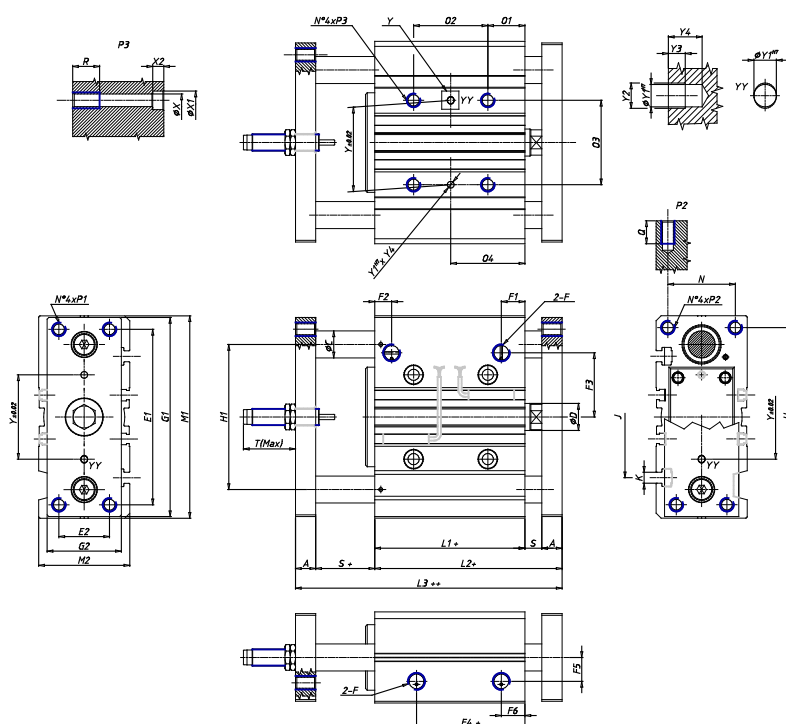


### TECHNICAL DATA

|                        |  |
|------------------------|--|
| <b>Series (mm)</b>     | QC   |
| <b>Diameter (mm)</b>   | 40   |
| <b>Type of bearing</b> | B = linear ball bearings   |
| <b>Version</b>         | F = body mounted with moving flanges   |
| <b>Operation</b>       | 2 = double - acting  |
| <b>Materials</b>       | A = anodized aluminium body rolled stainless steel 303 piston rod hardened steel C50 columns for QCB |
| <b>Cushion</b>         | C = one shock absorber located on the rear flange  |
| <b>Stroke type</b>     | standard   |
| <b>Stroke (mm)</b>     | 50   |

## Series QCTF-QCBF - Cylinders with integrated guide

Product code: QCBF2A040C050



### DIMENSIONS

|         |       |
|---------|-------|
| C (mm)  | 16    |
| O2 (mm) | 48    |
| O4 (mm) | 46    |
| A (mm)  | 12    |
| D (mm)  | 16    |
| E1 (mm) | 104   |
| E2 (mm) | 30    |
| F       | G 1/8 |
| F1 (mm) | 13.0  |
| F2 (mm) | 12.0  |
| F3 (mm) | 38.0  |
| F4 (mm) | 13.0  |
| F5 (mm) | 18.0  |
| F6 (mm) | 13.0  |
| G1 (mm) | 118   |
| G2 (mm) | 45    |
| G3 (mm) | -     |
| H (mm)  | 106   |
| H1 (mm) | 86    |
| L1 (mm) | 44.0  |
| L2 (mm) | 66.0  |
| L3 (mm) | 88.0  |
| M1 (mm) | 120   |

|         |         |
|---------|---------|
| M2 (mm) | 54      |
| N (mm)  | 40      |
| O1 (mm) | 22      |
| O3 (mm) | 50      |
| P1      | M8x1.25 |
| P2      | M8x1.25 |
| P3      | M8x1.25 |
| Q (mm)  | 20      |
| R (mm)  | 16      |
| S (mm)  | 10      |
| T (mm)  | 55      |
| U (mm)  | -       |
| Y (mm)  | 50      |
| Y1 (mm) | 4       |
| Y2 (mm) | 4.5     |
| Y3 (mm) | 3       |
| Y4 (mm) | 6       |
| X (mm)  | 6.5     |
| X1 (mm) | 11      |
| X2 (mm) | 6.5     |
| J (mm)  | 72      |
| K       | M6      |