

## Series QCTF-QCBF - Cylinders with integrated guide

Product code: QCTF2A025A025

Datasheet creation date: 09/03/2025 22:54

Check the most updated document online [click here](#)

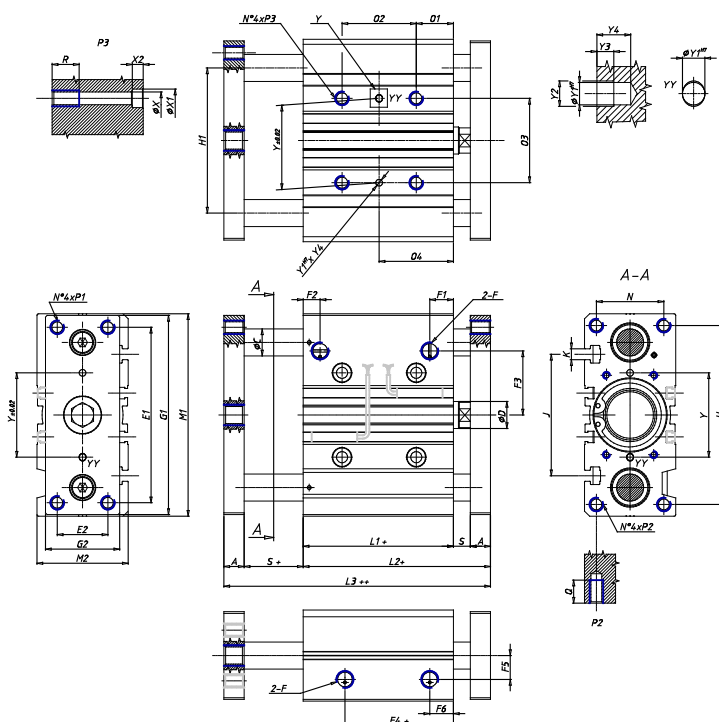


### TECHNICAL DATA

<b>Series (mm)</b>	QC
<b>Diameter (mm)</b>	25
<b>Type of bearing</b>	T = sintered bronze bushes
<b>Version</b>	F = body mounted with moving flanges
<b>Operation</b>	2 = double - acting
<b>Materials</b>	A = anodized aluminium body rolled stainless steel 303 piston rod rolled stainless steel 420B columns for QTC
<b>Cushion</b>	A = fixed mechanical cushion (standard)
<b>Stroke type</b>	intermediate
<b>Stroke (mm)</b>	25

## Series QCTF-QCBF - Cylinders with integrated guide

Product code: QCTF2A025A025



### DIMENSIONS

C (mm)	12
O2 (mm)	24
O4 (mm)	29
A (mm)	10
D (mm)	12
E1 (mm)	78
E2 (mm)	26
F	G 1/8
F1 (mm)	11.5
F2 (mm)	8.0
F3 (mm)	28.5
F4 (mm)	12.5
F5 (mm)	13.5
F6 (mm)	11.5
G1 (mm)	91
G2 (mm)	40
G3 (mm)	-
H (mm)	82
H1 (mm)	64
L1 (mm)	37.5
L2 (mm)	53.5
L3 (mm)	69.5
M1 (mm)	93

M2 (mm)	42
N (mm)	30
O1 (mm)	17
O3 (mm)	34
P1	M6x1
P2	M6x1
P3	M6x1
Q (mm)	15
R (mm)	12
S (mm)	6
T (mm)	-
U (mm)	-
Y (mm)	34
Y1 (mm)	4
Y2 (mm)	4.5
Y3 (mm)	3
Y4 (mm)	6
X (mm)	5.5
X1 (mm)	9
X2 (mm)	5.0
J (mm)	50
K	M5