

## Series QCTF-QCBF - Cylinders with integrated guide

Product code: QCTF2A025A125

Datasheet creation date: 09/03/2025 22:55

Check the most updated document online [click here](#)

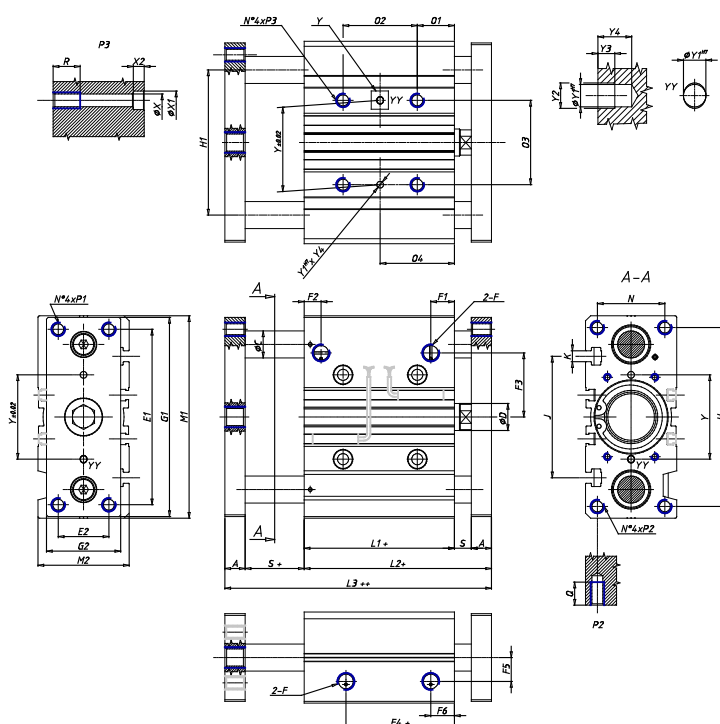


### TECHNICAL DATA

|                        |   |
|------------------------|---|
| <b>Series (mm)</b>     | QC  |
| <b>Diameter (mm)</b>   | 25  |
| <b>Type of bearing</b> | T = sintered bronze bushes  |
| <b>Version</b>         | F = body mounted with moving flanges  |
| <b>Operation</b>       | 2 = double - acting   |
| <b>Materials</b>       | A = anodized aluminium body rolled stainless steel 303 piston rod rolled stainless steel 420B columns for QTC |
| <b>Cushion</b>         | A = fixed mechanical cushion (standard)   |
| <b>Stroke type</b>     | standard  |
| <b>Stroke (mm)</b>     | 125   |

## Series QCTF-QCBF - Cylinders with integrated guide

Product code: QCTF2A025A125



### DIMENSIONS

|         |       |
|---------|-------|
| C (mm)  | 12    |
| O2 (mm) | 120   |
| O4 (mm) | 77    |
| A (mm)  | 10    |
| D (mm)  | 12    |
| E1 (mm) | 78    |
| E2 (mm) | 26    |
| F       | G 1/8 |
| F1 (mm) | 11.5  |
| F2 (mm) | 8.0   |
| F3 (mm) | 28.5  |
| F4 (mm) | 12.5  |
| F5 (mm) | 13.5  |
| F6 (mm) | 11.5  |
| G1 (mm) | 91    |
| G2 (mm) | 40    |
| G3 (mm) | -     |
| H (mm)  | 82    |
| H1 (mm) | 64    |
| L1 (mm) | 37.5  |
| L2 (mm) | 53.5  |
| L3 (mm) | 69.5  |
| M1 (mm) | 93    |

|         |      |
|---------|------|
| M2 (mm) | 42   |
| N (mm)  | 30   |
| O1 (mm) | 17   |
| O3 (mm) | 34   |
| P1      | M6x1 |
| P2      | M6x1 |
| P3      | M6x1 |
| Q (mm)  | 15   |
| R (mm)  | 12   |
| S (mm)  | 6    |
| T (mm)  | -    |
| U (mm)  | -    |
| Y (mm)  | 34   |
| Y1 (mm) | 4    |
| Y2 (mm) | 4.5  |
| Y3 (mm) | 3    |
| Y4 (mm) | 6    |
| X (mm)  | 5.5  |
| X1 (mm) | 9    |
| X2 (mm) | 5.0  |
| J (mm)  | 50   |
| K       | M5   |