

Series QCTF-QCBF - Cylinders with integrated guide

Product code: QCTF2A032A020

Datasheet creation date: 09/03/2025 22:56

Check the most updated document online [click here](#)

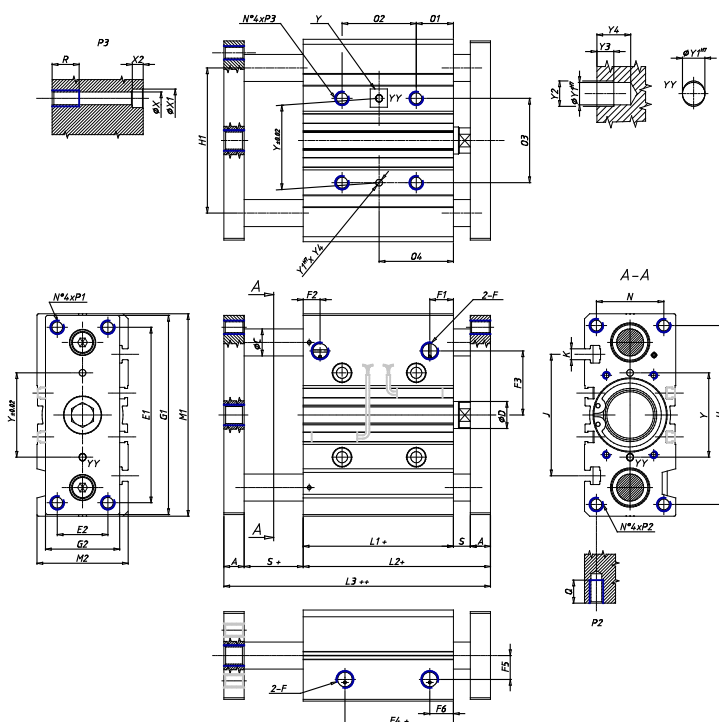


TECHNICAL DATA

| | |
|------------------------|---|
| Series (mm) | QC |
| Diameter (mm) | 32 |
| Type of bearing | T = sintered bronze bushes |
| Version | F = body mounted with moving flanges |
| Operation | 2 = double - acting |
| Materials | A = anodized aluminium body rolled stainless steel 303 piston rod rolled stainless steel 420B columns for QTC |
| Cushion | A = fixed mechanical cushion (standard) |
| Stroke type | intermediate |
| Stroke (mm) | 20 |

Series QCTF-QCBF - Cylinders with integrated guide

Product code: QCTF2A032A020



DIMENSIONS

| | |
|---------|-------|
| C (mm) | 16 |
| O2 (mm) | 24 |
| O4 (mm) | 33 |
| A (mm) | 12 |
| D (mm) | 16 |
| E1 (mm) | 96 |
| E2 (mm) | 30 |
| F | G 1/8 |
| F1 (mm) | 12.5 |
| F2 (mm) | 9.5 |
| F3 (mm) | 34.0 |
| F4 (mm) | 7.0 |
| F5 (mm) | 15.0 |
| F6 (mm) | 12.5 |
| G1 (mm) | 110 |
| G2 (mm) | 45 |
| G3 (mm) | - |
| H (mm) | 98 |
| H1 (mm) | 78 |
| L1 (mm) | 37.5 |
| L2 (mm) | 59.5 |
| L3 (mm) | 81.5 |
| M1 (mm) | 112 |

| | |
|---------|---------|
| M2 (mm) | 48 |
| N (mm) | 34 |
| O1 (mm) | 21 |
| O3 (mm) | 42 |
| P1 | M8x1.25 |
| P2 | M8x1.25 |
| P3 | M8x1.25 |
| Q (mm) | 20 |
| R (mm) | 16 |
| S (mm) | 10 |
| T (mm) | - |
| U (mm) | - |
| Y (mm) | 42 |
| Y1 (mm) | 4 |
| Y2 (mm) | 4.5 |
| Y3 (mm) | 3 |
| Y4 (mm) | 6 |
| X (mm) | 6.5 |
| X1 (mm) | 11 |
| X2 (mm) | 6.5 |
| J (mm) | 63 |
| K | M6 |