

## Series QCTF-QCBF - Cylinders with integrated guide

Product code: QCTF2A032C050

Datasheet creation date: 09/03/2025 22:57

Check the most updated document online [click here](#)

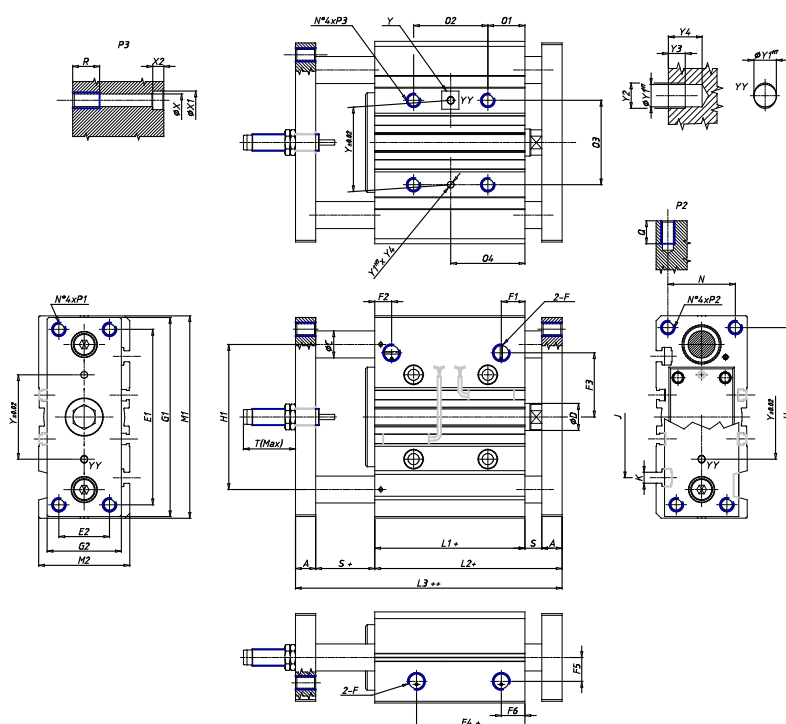


### TECHNICAL DATA

<b>Series (mm)</b>	QC
<b>Diameter (mm)</b>	32
<b>Type of bearing</b>	T = sintered bronze bushes
<b>Version</b>	F = body mounted with moving flanges
<b>Operation</b>	2 = double - acting
<b>Materials</b>	A = anodized aluminium body rolled stainless steel 303 piston rod rolled stainless steel 420B columns for QTC
<b>Cushion</b>	C = one shock absorber located on the rear flange
<b>Stroke type</b>	standard
<b>Stroke (mm)</b>	50

## Series QCTF-QCBF - Cylinders with integrated guide

Product code: QCTF2A032C050



### DIMENSIONS

C (mm)	16
O2 (mm)	48
O4 (mm)	45
A (mm)	12
D (mm)	16
E1 (mm)	96
E2 (mm)	30
F	G 1/8
F1 (mm)	12.5
F2 (mm)	9.5
F3 (mm)	34.0
F4 (mm)	7.0
F5 (mm)	15.0
F6 (mm)	12.5
G1 (mm)	110
G2 (mm)	45
G3 (mm)	-
H (mm)	98
H1 (mm)	78
L1 (mm)	37.5
L2 (mm)	59.5
L3 (mm)	81.5
M1 (mm)	112

M2 (mm)	48
N (mm)	34
O1 (mm)	21
O3 (mm)	42
P1	M8x1.25
P2	M8x1.25
P3	M8x1.25
Q (mm)	20
R (mm)	16
S (mm)	10
T (mm)	55
U (mm)	-
Y (mm)	42
Y1 (mm)	4
Y2 (mm)	4.5
Y3 (mm)	3
Y4 (mm)	6
X (mm)	6.5
X1 (mm)	11
X2 (mm)	6.5
J (mm)	63
K	M6