

## Short-stroke cylinders - Series QL

Product code: QLM2A012A015

Datasheet creation date: 09/03/2025 23:12

Check the most updated document online [click here](#)

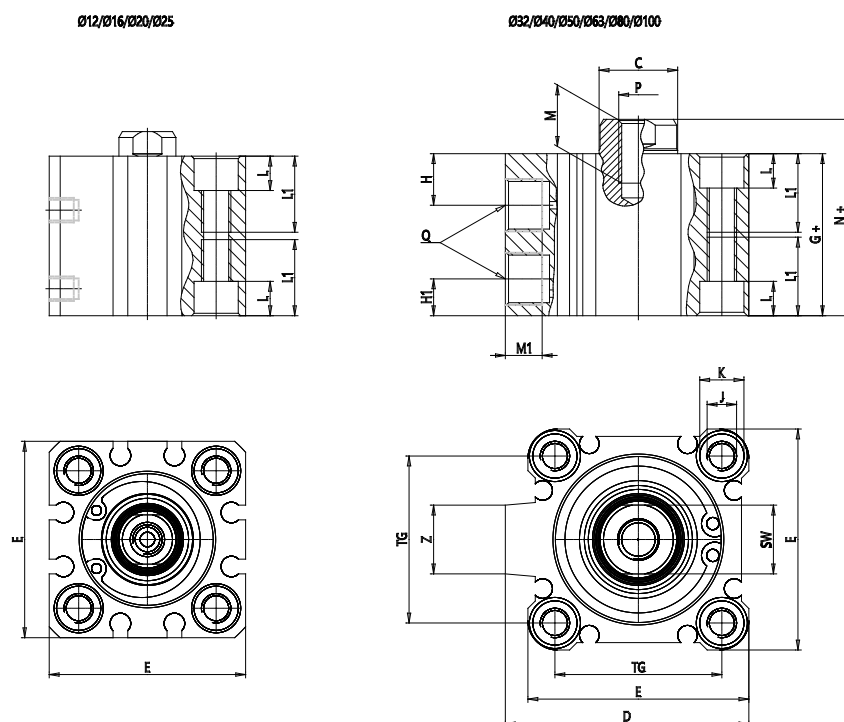


### TECHNICAL DATA

<b>Series</b>	QL
<b>Version</b>	M = Magnetic
<b>Function</b>	2 = double - acting
<b>Materials</b>	A = rolled stainless steel rod - AL profile
<b>Construction type</b>	A = Standard
<b>Diameter (mm)</b>	Ø12
<b>Stroke (mm)</b>	15
<b>Rod</b>	= Standard
<b>Certification</b>	= Standard

## Short-stroke cylinders - Series QL

Product code: QLM2A012A015



### DIMENSIONS

C (mm)	6
D (mm)	0.0
E (mm)	25.0
G (mm)	28.0
H (mm)	7.5
H1 (mm)	5.0
J	M4x0.7
K (mm)	6.5
L (mm)	3.5
L1 (mm)	11.0
M (mm)	6
M1 (mm)	6.0
N (mm)	31.5
P	M3x0.5
Q	M5x0.8
SW (mm)	5
TG (mm)	15.5
Z (mm)	0
W (mm)	14.0
KK	M5x0.8
AM (mm)	10.5