

Short-stroke cylinders - Series QL

Product code: QLM2A020A050EX

Datasheet creation date: 09/03/2025 23:14

Check the most updated document online [click here](#)

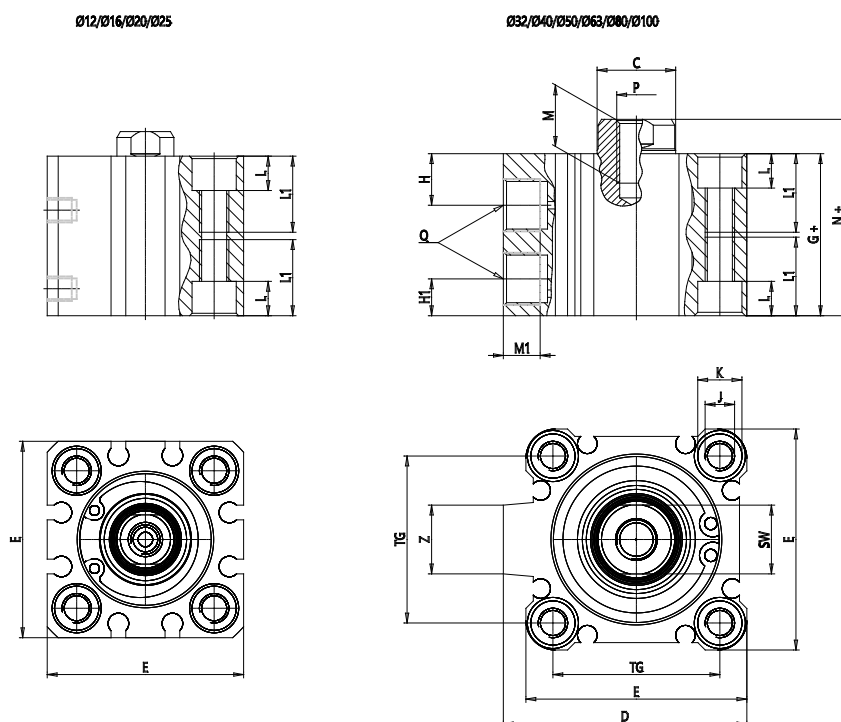


TECHNICAL DATA

Series	QL
Version	M = Magnetic
Function	2 = double - acting
Materials	A = rolled stainless steel rod - AL profile
Construction type	A = Standard
Diameter (mm)	Ø20
Stroke (mm)	50
Rod	= Standard
Certification	EX = Atex

Short-stroke cylinders - Series QL

Product code: QLM2A020A050EX



DIMENSIONS

C (mm)	10
D (mm)	0.0
E (mm)	35.5
G (mm)	31.5
H (mm)	8.0
H1 (mm)	5.5
J	M6x1
K (mm)	9.0
L (mm)	7.0
L1 (mm)	17.0
M (mm)	7
M1 (mm)	6.0
N (mm)	36.0
P	M5x0.8
Q	M5x0.8
SW (mm)	8
TG (mm)	25.5
Z (mm)	0
W (mm)	18.5
KK	M8x1.25
AM (mm)	14.0