

Short-stroke cylinders - Series QL

Product code: QLM2A032L125

Datasheet creation date: 09/03/2025 23:16

Check the most updated document online [click here](#)

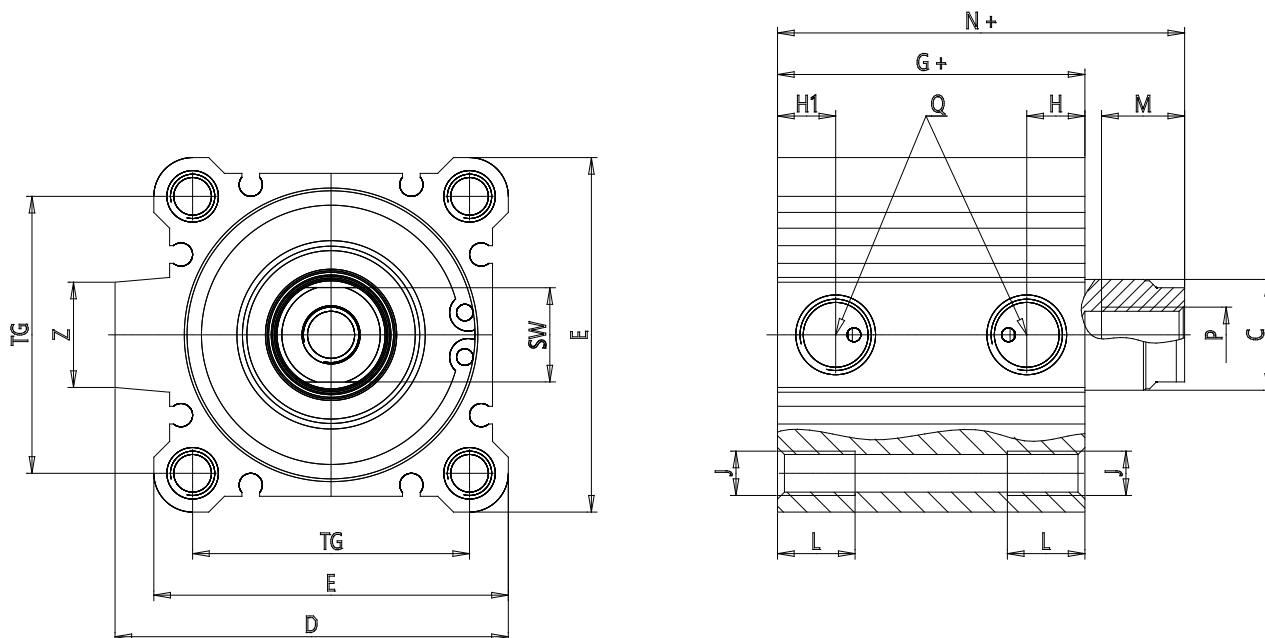


TECHNICAL DATA

Series	QL
Version	M = Magnetic
Function	2 = double - acting
Materials	A = rolled stainless steel rod - AL profile
Construction type	L = Long strokes (>100mm)
Diameter (mm)	Ø32
Stroke (mm)	125
Rod	= Standard
Certification	= Standard

Short-stroke cylinders - Series QL

Product code: QLM2A032L125



DIMENSIONS

C (mm)	16
D (mm)	49.5
E (mm)	45.0
G (mm)	45.5
H (mm)	10.5
H1 (mm)	7.5
J	M6x1
K (mm)	9.0
L (mm)	7.0
L1 (mm)	17.0
M (mm)	13
M1 (mm)	7.5
N (mm)	62.5
P	M8x1.25
Q	G1/8
SW (mm)	14
TG (mm)	34.0
Z (mm)	14
W (mm)	40.5
KK	M14x1.5
AM (mm)	23.5