

Short-stroke cylinders - Series QL

Product code: QLM2A040L200

Datasheet creation date: 20/05/2026 06:26

Check the most updated document online [click here](#)

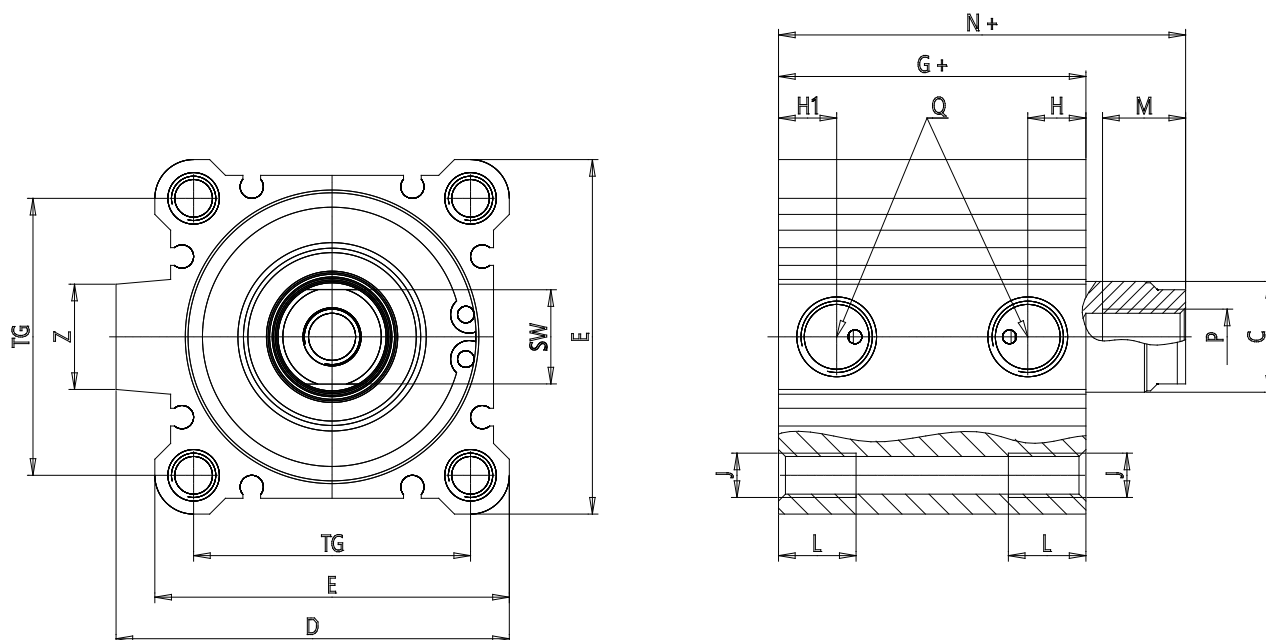


TECHNICAL DATA

Series	QL
Version	M = Magnetic
Function	2 = double acting
Materials	A = rolled stainless steel rod - AL profile
Construction type	L = Long strokes (>100mm)
Diameter (mm)	Ø40
Stroke (mm)	200
Rod options	= Standard
Certifications	= Standard

Short-stroke cylinders - Series QL

Product code: QLM2A040L200



DIMENSIONS

C (mm)	16
D (mm)	57.0
E (mm)	52.0
G (mm)	55.0
H (mm)	11.0
H1 (mm)	8.0
J	M6x1
K (mm)	9.0
L (mm)	7.0
L1 (mm)	17.0
M (mm)	13
M1 (mm)	7.5
N (mm)	72.0
P	M8x1.25
Q	G1/8
SW (mm)	14
TG (mm)	40.0
Z (mm)	15
W (mm)	40.5
KK	M14x1.5
AM (mm)	23.5