

Short-stroke cylinders - Series QL

Product code: QLM2A063A040

Datasheet creation date: 09/03/2025 23:19

Check the most updated document online [click here](#)

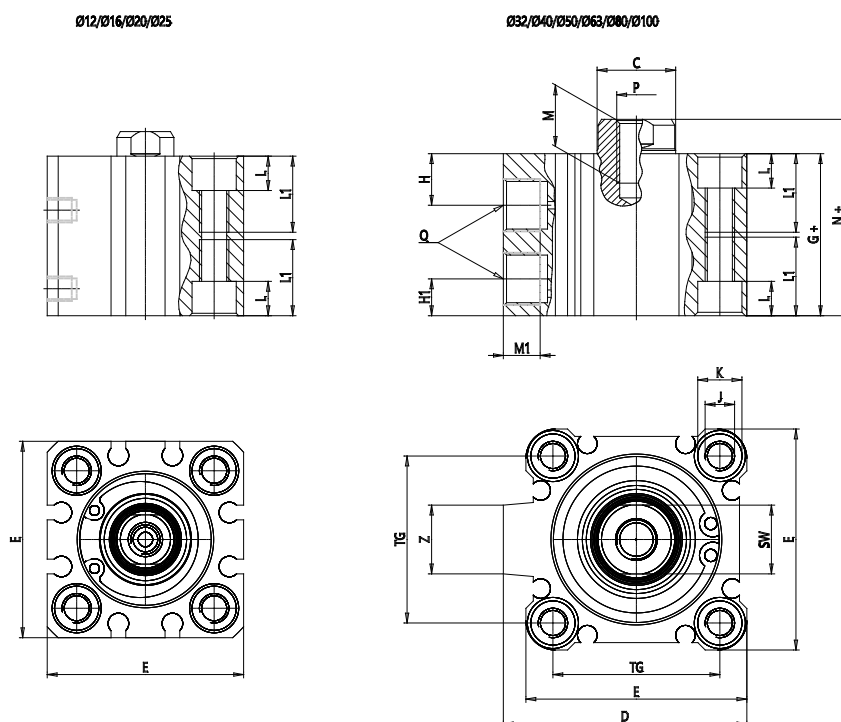


TECHNICAL DATA

| | |
|--------------------------|---|
| Series | QL |
| Version | M = Magnetic |
| Function | 2 = double - acting |
| Materials | A = rolled stainless steel rod - AL profile |
| Construction type | A = Standard |
| Diameter (mm) | Ø63 |
| Stroke (mm) | 40 |
| Rod | = Standard |
| Certification | = Standard |

Short-stroke cylinders - Series QL

Product code: QLM2A063A040



DIMENSIONS

| | |
|---------|---------|
| C (mm) | 20 |
| D (mm) | 84.0 |
| E (mm) | 77.0 |
| G (mm) | 46.0 |
| H (mm) | 15.0 |
| H1 (mm) | 10.5 |
| J | M10x1.5 |
| K (mm) | 14.0 |
| L (mm) | 10.5 |
| L1 (mm) | 28.5 |
| M (mm) | 15 |
| M1 (mm) | 8.5 |
| N (mm) | 54.0 |
| P | M10x1.5 |
| Q | G1/4 |
| SW (mm) | 17 |
| TG (mm) | 60.0 |
| Z (mm) | 19 |
| W (mm) | 36.5 |
| KK | M18x1.5 |
| AM (mm) | 28.5 |