

Short-stroke cylinders - Series QL

Product code: QLM2A100A100

Datasheet creation date: 09/03/2025 23:12

Check the most updated document online [click here](#)

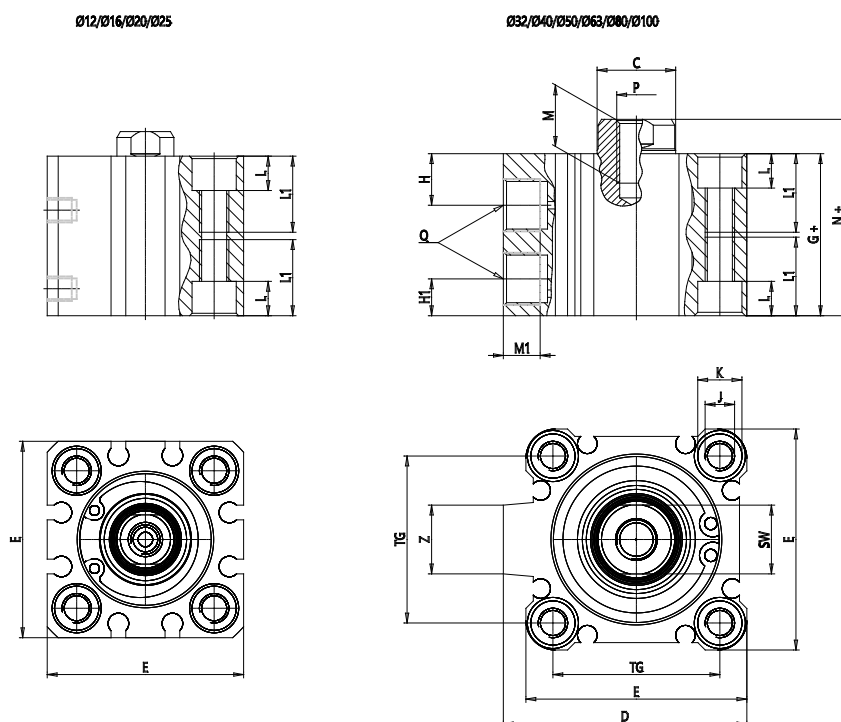


TECHNICAL DATA

| | |
|--------------------------|---|
| Series | QL |
| Version | M = Magnetic |
| Function | 2 = double - acting |
| Materials | A = rolled stainless steel rod - AL profile |
| Construction type | A = Standard |
| Diameter (mm) | Ø100 |
| Stroke (mm) | 100 |
| Rod | = Standard |
| Certification | = Standard |

Short-stroke cylinders - Series QL

Product code: QLM2A100A100



DIMENSIONS

| | |
|---------|----------|
| C (mm) | 32 |
| D (mm) | 123.5 |
| E (mm) | 117.0 |
| G (mm) | 63.0 |
| H (mm) | 20.5 |
| H1 (mm) | 13.0 |
| J | M12x1.75 |
| K (mm) | 17.5 |
| L (mm) | 13.5 |
| L1 (mm) | 35.5 |
| M (mm) | 27 |
| M1 (mm) | 11.0 |
| N (mm) | 75.0 |
| P | M20x2.5 |
| Q | G3/8 |
| SW (mm) | 27 |
| TG (mm) | 94.0 |
| Z (mm) | 25 |
| W (mm) | 47.5 |
| KK | M26x1.5 |
| AM (mm) | 35.5 |