

Short-stroke cylinders - Series QL

Product code: QLM3A012A005

Datasheet creation date: 09/03/2025 23:13

Check the most updated document online [click here](#)

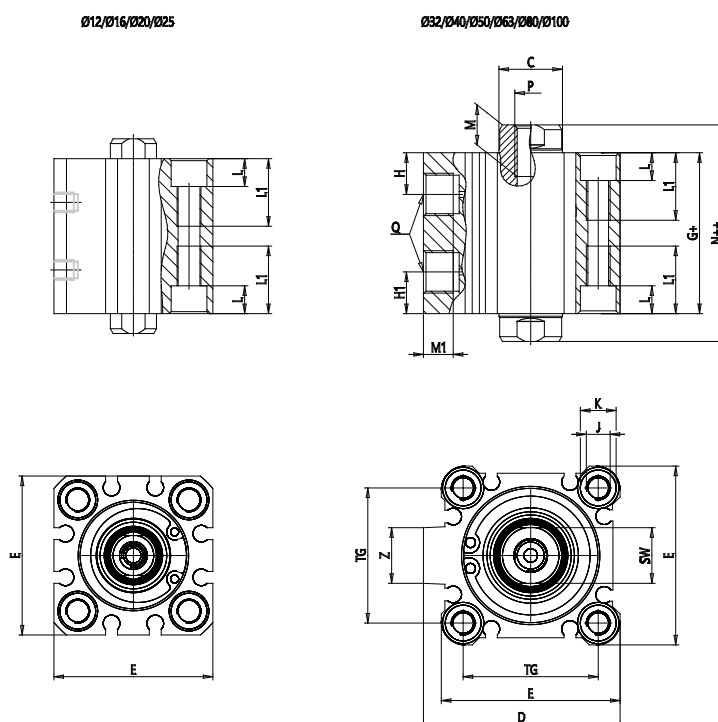


TECHNICAL DATA

| | |
|--------------------------|---|
| Series | QL |
| Version | M = Magnetic |
| Function | 3 = double acting, through rod |
| Materials | A = rolled stainless steel rod - AL profile |
| Construction type | A = Standard |
| Diameter (mm) | Ø12 |
| Stroke (mm) | 5 |
| Rod | = Standard |
| Certification | = Standard |

Short-stroke cylinders - Series QL

Product code: QLM3A012A005



DIMENSIONS

| | |
|---------|--------|
| C (mm) | 6 |
| D (mm) | 0.0 |
| E (mm) | 25.0 |
| G (mm) | 32.4 |
| H (mm) | 7.5 |
| H1 (mm) | 7.5 |
| J | M4x0.7 |
| K (mm) | 6.5 |
| L (mm) | 3.5 |
| L1 (mm) | 11.0 |
| M (mm) | 6 |
| M1 (mm) | 6.0 |
| N (mm) | 39.4 |
| P | M3x0.5 |
| Q | M5x0.8 |
| SW (mm) | 5 |
| TG (mm) | 15.5 |
| Z (mm) | 0 |
| W (mm) | 14.0 |
| KK | M5x0.8 |
| AM (mm) | 10.5 |