

Short-stroke cylinders - Series QL

Product code: QLM3A016A005

Datasheet creation date: 09/03/2025 23:13

Check the most updated document online [click here](#)

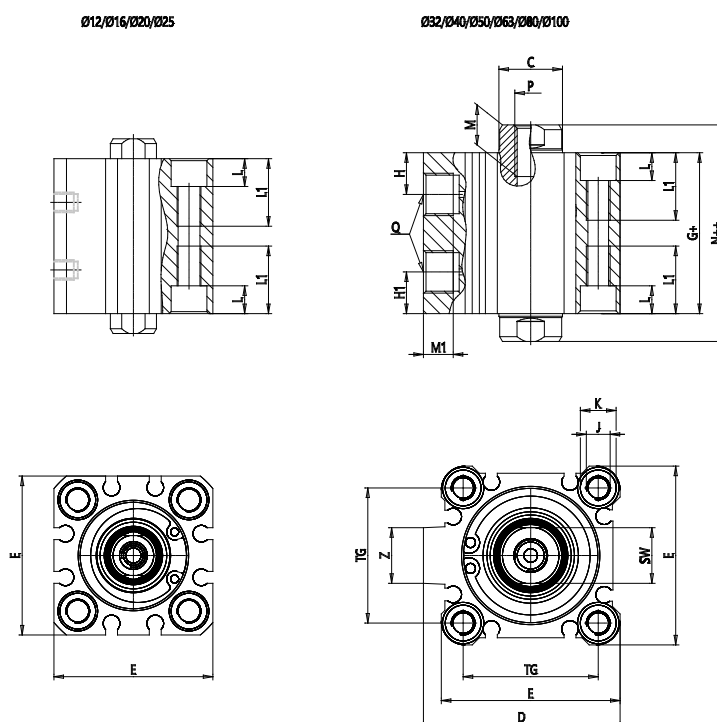


TECHNICAL DATA

Series	QL
Version	M = Magnetic
Function	3 = double acting, through rod
Materials	A = rolled stainless steel rod - AL profile
Construction type	A = Standard
Diameter (mm)	Ø16
Stroke (mm)	5
Rod	= Standard
Certification	= Standard

Short-stroke cylinders - Series QL

Product code: QLM3A016A005



DIMENSIONS

C (mm)	8
D (mm)	0.0
E (mm)	29.0
G (mm)	36.0
H (mm)	9.0
H1 (mm)	9.0
J	M4x0.7
K (mm)	6.5
L (mm)	3.5
L1 (mm)	11.0
M (mm)	8
M1 (mm)	6.0
N (mm)	43.0
P	M4X0.7
Q	M5x0.8
SW (mm)	6
TG (mm)	20.0
Z (mm)	0
W (mm)	15.5
KK	M6x1
AM (mm)	12.0