

## Short-stroke cylinders - Series QL

Product code: QLM3A016A015

Datasheet creation date: 09/03/2025 23:13

Check the most updated document online [click here](#)

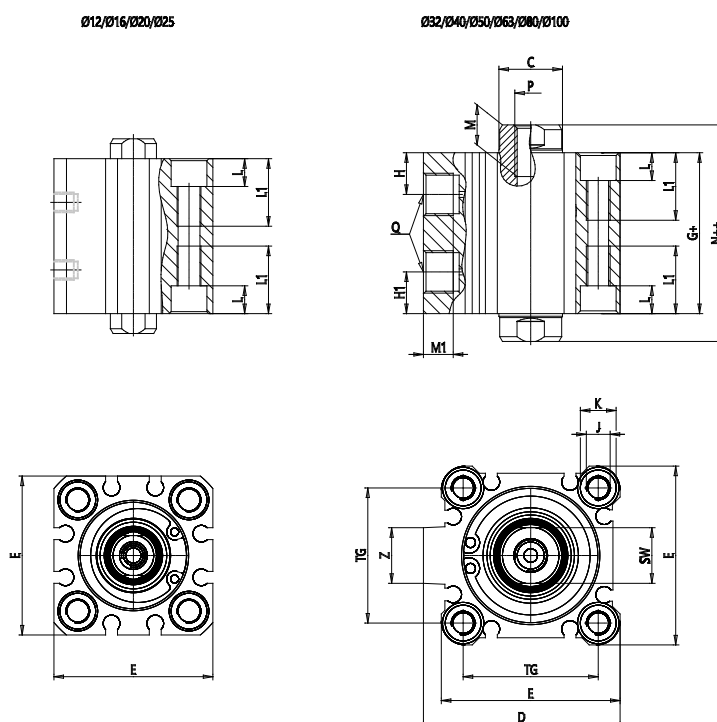


### TECHNICAL DATA

<b>Series</b>	QL
<b>Version</b>	M = Magnetic
<b>Function</b>	3 = double acting, through rod
<b>Materials</b>	A = rolled stainless steel rod - AL profile
<b>Construction type</b>	A = Standard
<b>Diameter (mm)</b>	Ø16
<b>Stroke (mm)</b>	15
<b>Rod</b>	= Standard
<b>Certification</b>	= Standard

## Short-stroke cylinders - Series QL

Product code: QLM3A016A015



### DIMENSIONS

C (mm)	8
D (mm)	0.0
E (mm)	29.0
G (mm)	36.0
H (mm)	9.0
H1 (mm)	9.0
J	M4x0.7
K (mm)	6.5
L (mm)	3.5
L1 (mm)	11.0
M (mm)	8
M1 (mm)	6.0
N (mm)	43.0
P	M4X0.7
Q	M5x0.8
SW (mm)	6
TG (mm)	20.0
Z (mm)	0
W (mm)	15.5
KK	M6x1
AM (mm)	12.0