

## Short-stroke cylinders - Series QL

Product code: QLM3A063A010

Datasheet creation date: 09/03/2025 23:20

Check the most updated document online [click here](#)

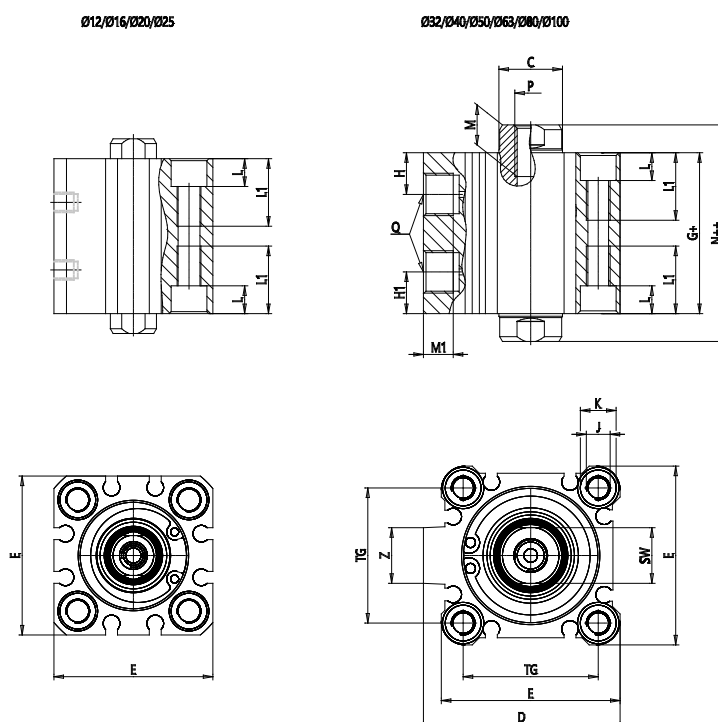


### TECHNICAL DATA

<b>Series</b>	QL
<b>Version</b>	M = Magnetic
<b>Function</b>	3 = double acting, through rod
<b>Materials</b>	A = rolled stainless steel rod - AL profile
<b>Construction type</b>	A = Standard
<b>Diameter (mm)</b>	Ø63
<b>Stroke (mm)</b>	10
<b>Rod</b>	= Standard
<b>Certification</b>	= Standard

## Short-stroke cylinders - Series QL

Product code: QLM3A063A010



### DIMENSIONS

<b>C (mm)</b>	20
<b>D (mm)</b>	84.0
<b>E (mm)</b>	77.0
<b>G (mm)</b>	52.0
<b>H (mm)</b>	15.0
<b>H1 (mm)</b>	15.0
<b>J</b>	M10x1.5
<b>K (mm)</b>	14.0
<b>L (mm)</b>	10.5
<b>L1 (mm)</b>	28.5
<b>M (mm)</b>	15
<b>M1 (mm)</b>	8.5
<b>N (mm)</b>	69.0
<b>P</b>	M10x1.5
<b>Q</b>	G1/4
<b>SW (mm)</b>	17
<b>TG (mm)</b>	60.0
<b>Z (mm)</b>	19
<b>W (mm)</b>	36.5
<b>KK</b>	M18x1.5
<b>AM (mm)</b>	28.5