

## Short-stroke cylinders - Series QL

Product code: QLN2A016A010

Datasheet creation date: 09/03/2025 23:22

Check the most updated document online [click here](#)

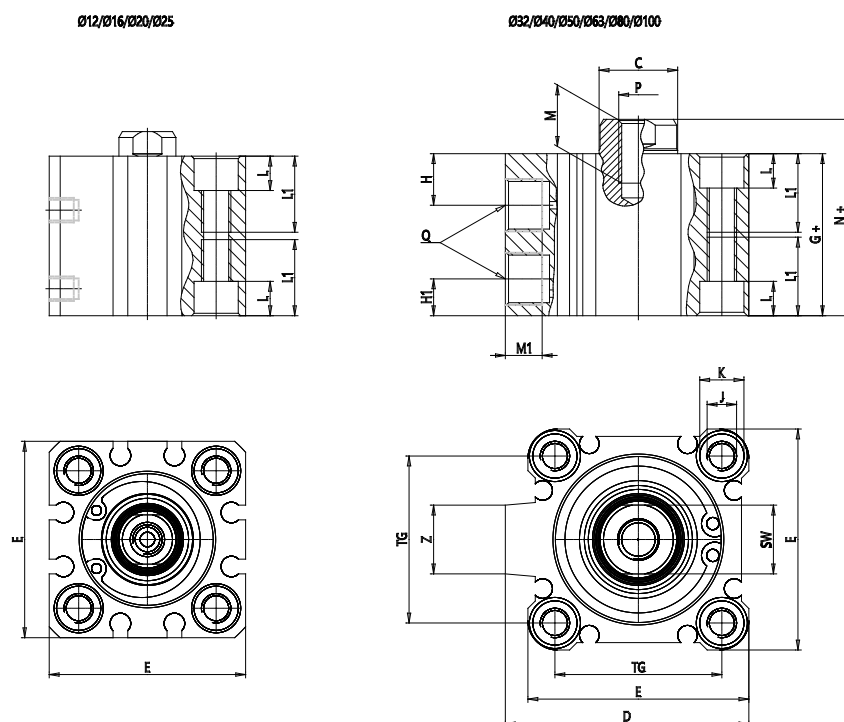


### TECHNICAL DATA

<b>Series</b>	QL
<b>Version</b>	N = Non magnetic
<b>Function</b>	2 = double - acting
<b>Materials</b>	A = rolled stainless steel rod - AL profile
<b>Construction type</b>	A = Standard
<b>Diameter (mm)</b>	Ø16
<b>Stroke (mm)</b>	10
<b>Rod</b>	= Standard
<b>Certification</b>	= Standard

## Short-stroke cylinders - Series QL

Product code: QLN2A016A010



### DIMENSIONS

C (mm)	8
D (mm)	0.0
E (mm)	29.0
G (mm)	18.5
H (mm)	9.0
H1 (mm)	5.0
J	M4x0.7
K (mm)	6.5
L (mm)	3.5
L1 (mm)	11.0
M (mm)	8
M1 (mm)	6.0
N (mm)	22.0
P	M4X0.7
Q	M5x0.8
SW (mm)	6
TG (mm)	20.0
Z (mm)	0
W (mm)	15.5
KK	M6x1
AM (mm)	12.0