

## Short stroke magnetic cylinders - Series QP-QPR

Product code: QP2A016A015EX

Datasheet creation date: 09/03/2025 23:43

Check the most updated document online [click here](#)

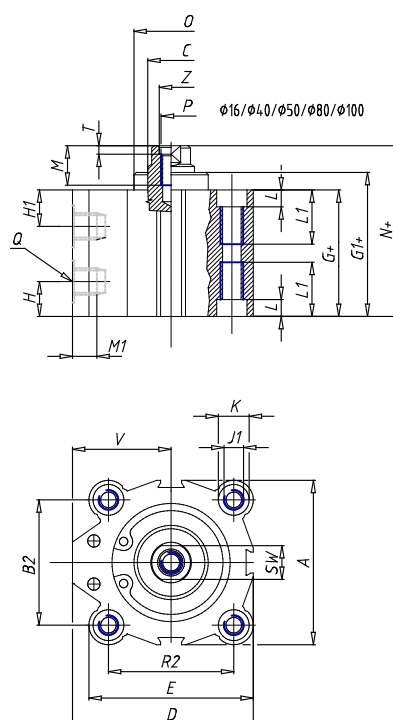


### TECHNICAL DATA

|                        |                            |
|------------------------|----------------------------|
| <b>Series</b>          | QP = standard              |
| <b>Diameter (mm)</b>   | 16                         |
| <b>Operation</b>       | 2=double-acting            |
| <b>Materials</b>       | A = rolled stainless steel |
| <b>Construction</b>    | A = standard               |
| <b>Stroke type</b>     | N = standard               |
| <b>Stroke (mm)</b>     | 15                         |
| <b>Atex</b>            | Atex                       |
| <b>Rod lenght (mm)</b> | 0                          |

## Short stroke magnetic cylinders - Series QP-QPR

Product code: QP2A016A015EX



### DIMENSIONS

|          |       |
|----------|-------|
| A (mm)   | 29.0  |
| B (mm)   | 20.0  |
| B1 (mm)  | -     |
| B2 (mm)  | -     |
| Ø C (mm) | 8     |
| D (mm)   | 29.00 |
| E (mm)   | 29.00 |
| G (mm)   | 32.0  |
| G1 (mm)  | 32.4  |
| H1 (mm)  | 10.9  |
| H (mm)   | 8.7   |
| J (mm)   | 3.5   |
| J1       | -     |
| K (mm)   | 5.8   |
| L (mm)   | 3.0   |
| L1 (mm)  | -     |
| M (mm)   | 8.0   |
| M1 (mm)  | 4.5   |
| N (mm)   | 36.4  |
| N1 (mm)  | -     |
| Ø O (mm) | 16.6  |
| P        | M4    |
| Q        | M5    |

|           |       |
|-----------|-------|
| R (mm)    | 20.0  |
| R1 (mm)   | -     |
| R2 (mm)   | -     |
| SW (mm)   | 6     |
| T (mm)    | -     |
| U (mm)    | -     |
| V (mm)    | 14.50 |
| AA (mm)   | 5     |
| BB (mm)   | 3.5   |
| Ø CC (mm) | 6.2   |
| Ø DD (mm) | 3.2   |
| EE (mm)   | 6.5   |
| FF        | M3    |
| LL (mm)   | 20.0  |
| MM (mm)   | 28.0  |
| NN (mm)   | 28    |
| RR (mm)   | 20.0  |
| VV (mm)   | -     |
| Z (mm)    | -     |