

## Short stroke magnetic cylinders - Series QP-QPR

Product code: QP2A032A015

Datasheet creation date: 09/03/2025 23:51

Check the most updated document online [click here](#)

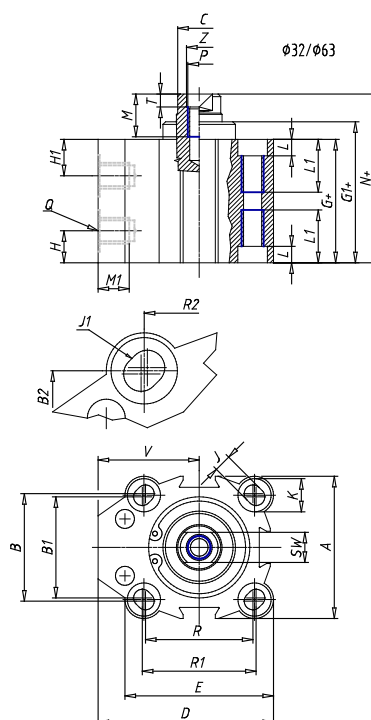


### TECHNICAL DATA

|                        |                            |
|------------------------|----------------------------|
| <b>Series</b>          | QP = standard              |
| <b>Diameter (mm)</b>   | 32                         |
| <b>Operation</b>       | 2=double-acting            |
| <b>Materials</b>       | A = rolled stainless steel |
| <b>Construction</b>    | A = standard               |
| <b>Stroke type</b>     | N = standard               |
| <b>Stroke (mm)</b>     | 15                         |
| <b>Atex</b>            | No Atex                    |
| <b>Rod lenght (mm)</b> | 0                          |

## Short stroke magnetic cylinders - Series QP-QPR

Product code: QP2A032A015



### DIMENSIONS

|                 |       |
|-----------------|-------|
| <b>A (mm)</b>   | 45.0  |
| <b>B (mm)</b>   | 34.0  |
| <b>B1 (mm)</b>  | 32    |
| <b>B2 (mm)</b>  | 33    |
| <b>Ø C (mm)</b> | 12    |
| <b>D (mm)</b>   | 55.50 |
| <b>E (mm)</b>   | 47.00 |
| <b>G (mm)</b>   | 39.5  |
| <b>G1 (mm)</b>  | 40    |
| <b>H1 (mm)</b>  | 9.5   |
| <b>H (mm)</b>   | 9.5   |
| <b>J (mm)</b>   | 5.5   |
| <b>J1</b>       | M8    |
| <b>K (mm)</b>   | 10.5  |
| <b>L (mm)</b>   | 6.0   |
| <b>L1 (mm)</b>  | 21.0  |
| <b>M (mm)</b>   | 10.0  |
| <b>M1 (mm)</b>  | 7.5   |
| <b>N (mm)</b>   | 44.0  |
| <b>N1 (mm)</b>  | -     |
| <b>Ø O (mm)</b> | 23.5  |
| <b>P</b>        | M6    |
| <b>Q</b>        | G1/8  |

|                  |       |
|------------------|-------|
| <b>R (mm)</b>    | 34.0  |
| <b>R1 (mm)</b>   | 36.00 |
| <b>R2 (mm)</b>   | 35    |
| <b>SW (mm)</b>   | 10    |
| <b>T (mm)</b>    | 2.5   |
| <b>U (mm)</b>    | -     |
| <b>V (mm)</b>    | 32.00 |
| <b>AA (mm)</b>   | 10    |
| <b>BB (mm)</b>   | 6.0   |
| <b>Ø CC (mm)</b> | 9.0   |
| <b>Ø DD (mm)</b> | 5.5   |
| <b>EE (mm)</b>   | 9.0   |
| <b>FF</b>        | M5    |
| <b>LL (mm)</b>   | 32.0  |
| <b>MM (mm)</b>   | 47.0  |
| <b>NN (mm)</b>   | 45    |
| <b>RR (mm)</b>   | 36.0  |
| <b>VV (mm)</b>   | -     |
| <b>Z (mm)</b>    | 7.0   |