

Short stroke magnetic cylinders - Series QP-QPR

Product code: QP2A040A012

Datasheet creation date: 09/03/2025 23:55

Check the most updated document online [click here](#)

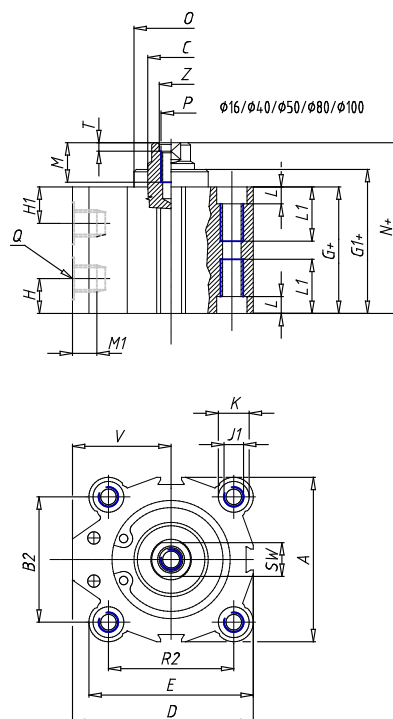


TECHNICAL DATA

| | |
|------------------------|----------------------------|
| Series | QP = standard |
| Diameter (mm) | 40 |
| Operation | 2=double-acting |
| Materials | A = rolled stainless steel |
| Construction | A = standard |
| Stroke type | = variable |
| Stroke (mm) | 12 |
| Atex | No Atex |
| Rod lenght (mm) | 0 |

Short stroke magnetic cylinders - Series QP-QPR

Product code: QP2A040A012



DIMENSIONS

| | |
|----------|-------|
| A (mm) | 52.0 |
| B (mm) | - |
| B1 (mm) | - |
| B2 (mm) | 40 |
| Ø C (mm) | 16 |
| D (mm) | 57.00 |
| E (mm) | 52.00 |
| G (mm) | 42.4 |
| G1 (mm) | 43.4 |
| H1 (mm) | 10.7 |
| H (mm) | 10.7 |
| J (mm) | 5.5 |
| J1 | M8 |
| K (mm) | 9.0 |
| L (mm) | 6.0 |
| L1 (mm) | 21.0 |
| M (mm) | 13.5 |
| M1 (mm) | 7.5 |
| N (mm) | 47.9 |
| N1 (mm) | - |
| Ø O (mm) | 29.6 |
| P | M8 |
| Q | G1/8 |

| | |
|-----------|-------|
| R (mm) | - |
| R1 (mm) | - |
| R2 (mm) | 40 |
| SW (mm) | 13 |
| T (mm) | 3.5 |
| U (mm) | - |
| V (mm) | 31.00 |
| AA (mm) | 10 |
| BB (mm) | 6.0 |
| Ø CC (mm) | 9.0 |
| Ø DD (mm) | 5.5 |
| EE (mm) | 9.0 |
| FF | M5 |
| LL (mm) | 40.0 |
| MM (mm) | 52.0 |
| NN (mm) | 50 |
| RR (mm) | 40.0 |
| VV (mm) | - |
| Z (mm) | 8.5 |