

## Short stroke magnetic cylinders - Series QP-QPR

Product code: QP2A063A075V

Datasheet creation date: 10/03/2025 00:05

Check the most updated document online [click here](#)

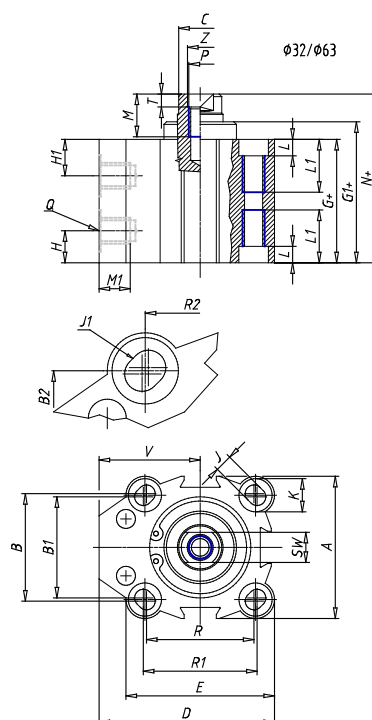


### TECHNICAL DATA

|                        |                            |
|------------------------|----------------------------|
| <b>Series</b>          | QP = standard              |
| <b>Diameter (mm)</b>   | 63                         |
| <b>Operation</b>       | 2=double-acting            |
| <b>Materials</b>       | A = rolled stainless steel |
| <b>Construction</b>    | A = standard               |
| <b>Stroke type</b>     | N = standard               |
| <b>Stroke (mm)</b>     | 75                         |
| <b>Atex</b>            | No Atex                    |
| <b>Rod lenght (mm)</b> | 0                          |

## Short stroke magnetic cylinders - Series QP-QPR

Product code: QP2A063A075V



### DIMENSIONS

|                 |       |
|-----------------|-------|
| <b>A (mm)</b>   | 80.0  |
| <b>B (mm)</b>   | 62.0  |
| <b>B1 (mm)</b>  | 60    |
| <b>B2 (mm)</b>  | 61    |
| <b>Ø C (mm)</b> | 20    |
| <b>D (mm)</b>   | 88.00 |
| <b>E (mm)</b>   | 80.00 |
| <b>G (mm)</b>   | 49.5  |
| <b>G1 (mm)</b>  | 50.1  |
| <b>H1 (mm)</b>  | 13.0  |
| <b>H (mm)</b>   | 13.0  |
| <b>J (mm)</b>   | 8.5   |
| <b>J1</b>       | M12   |
| <b>K (mm)</b>   | 15.0  |
| <b>L (mm)</b>   | 8.5   |
| <b>L1 (mm)</b>  | 31.5  |
| <b>M (mm)</b>   | 13.5  |
| <b>M1 (mm)</b>  | 9.0   |
| <b>N (mm)</b>   | 54.0  |
| <b>N1 (mm)</b>  | -     |
| <b>Ø O (mm)</b> | 50    |
| <b>P</b>        | M8    |
| <b>Q</b>        | G1/4  |

|                  |       |
|------------------|-------|
| <b>R (mm)</b>    | 60.0  |
| <b>R1 (mm)</b>   | 62.00 |
| <b>R2 (mm)</b>   | 61    |
| <b>SW (mm)</b>   | 17    |
| <b>T (mm)</b>    | 4.0   |
| <b>U (mm)</b>    | -     |
| <b>V (mm)</b>    | 48.00 |
| <b>AA (mm)</b>   | 12    |
| <b>BB (mm)</b>   | 8.5   |
| <b>Ø CC (mm)</b> | 14.0  |
| <b>Ø DD (mm)</b> | 9.0   |
| <b>EE (mm)</b>   | 15.0  |
| <b>FF</b>        | M6    |
| <b>LL (mm)</b>   | 62.0  |
| <b>MM (mm)</b>   | 80.0  |
| <b>NN (mm)</b>   | 80    |
| <b>RR (mm)</b>   | 62.0  |
| <b>VV (mm)</b>   | -     |
| <b>Z (mm)</b>    | 8.5   |