

Short stroke magnetic cylinders - Series QP-QPR

Product code: QP2A080A125EX

Datasheet creation date: 10/03/2025 00:09

Check the most updated document online [click here](#)

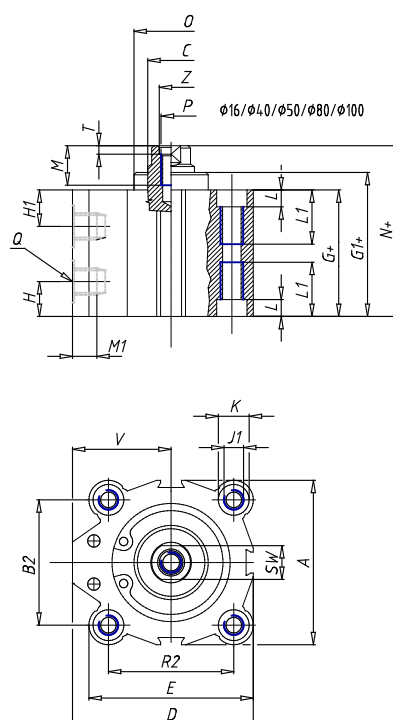


TECHNICAL DATA

| | |
|------------------------|----------------------------|
| Series | QP = standard |
| Diameter (mm) | 80 |
| Operation | 2=double-acting |
| Materials | A = rolled stainless steel |
| Construction | A = standard |
| Stroke type | = variable |
| Stroke (mm) | 125 |
| Atex | Atex |
| Rod lenght (mm) | 0 |

Short stroke magnetic cylinders - Series QP-QPR

Product code: QP2A080A125EX



DIMENSIONS

| | |
|----------|--------|
| A (mm) | 98.0 |
| B (mm) | - |
| B1 (mm) | - |
| B2 (mm) | 77 |
| Ø C (mm) | 25 |
| D (mm) | 104.00 |
| E (mm) | 98.00 |
| G (mm) | 57.5 |
| G1 (mm) | 58.1 |
| H1 (mm) | 16.2 |
| H (mm) | 16.2 |
| J (mm) | 10.5 |
| J1 | M12 |
| K (mm) | 17.0 |
| L (mm) | 10.5 |
| L1 (mm) | 31.5 |
| M (mm) | 15.0 |
| M1 (mm) | 10.5 |
| N (mm) | 63.5 |
| N1 (mm) | - |
| Ø O (mm) | 62 |
| P | M16 |
| Q | G3/8 |

| | |
|-----------|-------|
| R (mm) | - |
| R1 (mm) | - |
| R2 (mm) | 77 |
| SW (mm) | 22 |
| T (mm) | 4.0 |
| U (mm) | - |
| V (mm) | 55.00 |
| AA (mm) | 15 |
| BB (mm) | 10.0 |
| Ø CC (mm) | 16.5 |
| Ø DD (mm) | 11.0 |
| EE (mm) | 17.0 |
| FF | M8 |
| LL (mm) | 77.0 |
| MM (mm) | 100.0 |
| NN (mm) | 100 |
| RR (mm) | 77.0 |
| VV (mm) | - |
| Z (mm) | 16.5 |