

Short stroke magnetic cylinders - Series QP-QPR

Product code: QP3A012A035

Datasheet creation date: 09/03/2025 23:42

Check the most updated document online [click here](#)

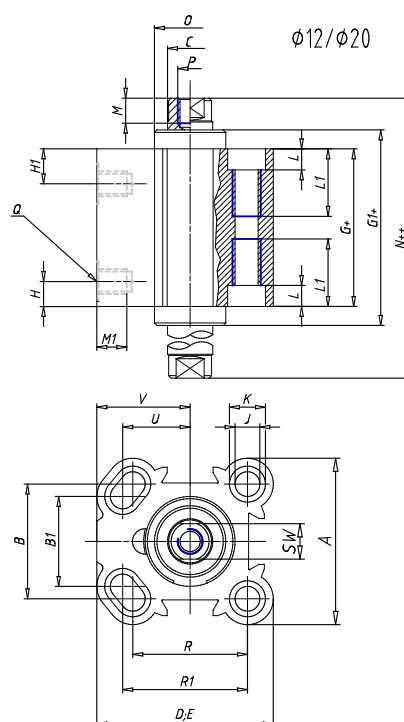


TECHNICAL DATA

| | |
|------------------------|-----------------------------|
| Series | QP = standard |
| Diameter (mm) | 12 |
| Operation | 3=double-acting through rod |
| Materials | A = rolled stainless steel |
| Construction | A = standard |
| Stroke type | N = standard |
| Stroke (mm) | 35 |
| Atex | No Atex |
| Rod lenght (mm) | 0 |

Short stroke magnetic cylinders - Series QP-QPR

Product code: QP3A012A035



DIMENSIONS

| | |
|----------|-------|
| A (mm) | 23.8 |
| B (mm) | 15.5 |
| B1 (mm) | 13 |
| B2 (mm) | - |
| Ø C (mm) | 6 |
| D (mm) | 25.00 |
| E (mm) | 25.00 |
| G (mm) | 34.5 |
| G1 (mm) | 34.5 |
| H1 (mm) | 12.3 |
| H (mm) | 12.3 |
| J (mm) | 3.5 |
| J1 | - |
| K (mm) | 5.8 |
| L (mm) | 3.0 |
| L1 (mm) | - |
| M (mm) | 5.5 |
| M1 (mm) | 4.5 |
| N (mm) | 43.9 |
| N1 (mm) | - |
| Ø O (mm) | 12 |
| P | M3 |
| Q | M5 |

| | |
|-----------|-------|
| R (mm) | 15.5 |
| R1 (mm) | 16.75 |
| R2 (mm) | - |
| SW (mm) | 5 |
| T (mm) | - |
| U (mm) | 9 |
| V (mm) | 13.15 |
| AA (mm) | 5 |
| BB (mm) | 3.5 |
| Ø CC (mm) | 6.2 |
| Ø DD (mm) | 3.2 |
| EE (mm) | 5.8 |
| FF | M3 |
| LL (mm) | 15.5 |
| MM (mm) | 25.0 |
| NN (mm) | 24 |
| RR (mm) | 15.5 |
| VV (mm) | 12 |
| Z (mm) | - |