

## Short stroke magnetic cylinders - Series QP-QPR

Product code: QP3A020A020

Datasheet creation date: 09/03/2025 23:47

Check the most updated document online [click here](#)

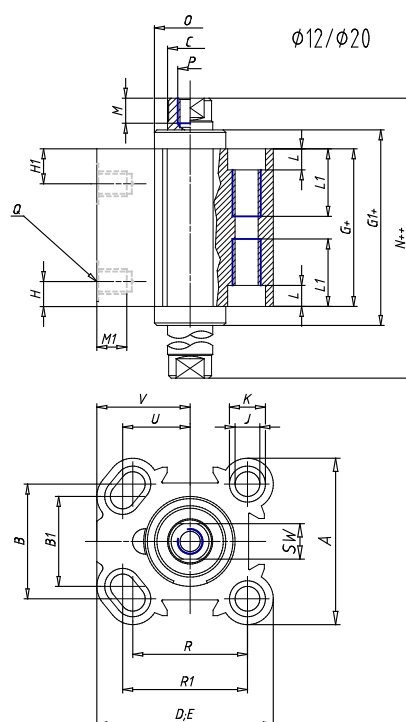


### TECHNICAL DATA

|                        |                             |
|------------------------|-----------------------------|
| <b>Series</b>          | QP = standard               |
| <b>Diameter (mm)</b>   | 20                          |
| <b>Operation</b>       | 3=double-acting through rod |
| <b>Materials</b>       | A = rolled stainless steel  |
| <b>Construction</b>    | A = standard                |
| <b>Stroke type</b>     | N = standard                |
| <b>Stroke (mm)</b>     | 20                          |
| <b>Atex</b>            | No Atex                     |
| <b>Rod lenght (mm)</b> | 0                           |

## Short stroke magnetic cylinders - Series QP-QPR

Product code: QP3A020A020



### DIMENSIONS

|          |       |
|----------|-------|
| A (mm)   | 37.0  |
| B (mm)   | 25.5  |
| B1 (mm)  | 20    |
| B2 (mm)  | -     |
| Ø C (mm) | 10    |
| D (mm)   | 39.25 |
| E (mm)   | 39.25 |
| G (mm)   | 38.1  |
| G1 (mm)  | 39.1  |
| H1 (mm)  | 9.8   |
| H (mm)   | 9.8   |
| J (mm)   | 5.5   |
| J1       | -     |
| K (mm)   | 9.0   |
| L (mm)   | 6.0   |
| L1 (mm)  | -     |
| M (mm)   | 8.0   |
| M1 (mm)  | 4.5   |
| N (mm)   | 47.7  |
| N1 (mm)  | -     |
| Ø O (mm) | 19.5  |
| P        | M6    |
| Q        | M5    |

|           |       |
|-----------|-------|
| R (mm)    | 25.5  |
| R1 (mm)   | 27.75 |
| R2 (mm)   | -     |
| SW (mm)   | 8     |
| T (mm)    | -     |
| U (mm)    | 15    |
| V (mm)    | 20.75 |
| AA (mm)   | 10    |
| BB (mm)   | 4.6   |
| Ø CC (mm) | 8.0   |
| Ø DD (mm) | 4.2   |
| EE (mm)   | 9.0   |
| FF        | M4    |
| LL (mm)   | 25.5  |
| MM (mm)   | 38.5  |
| NN (mm)   | 36    |
| RR (mm)   | 25.5  |
| VV (mm)   | 18    |
| Z (mm)    | -     |