

## Double rack rotary actuators - Series QR

Product code: QR07A

Datasheet creation date: 07/03/2025 17:53

Check the most updated document online [click here](#)

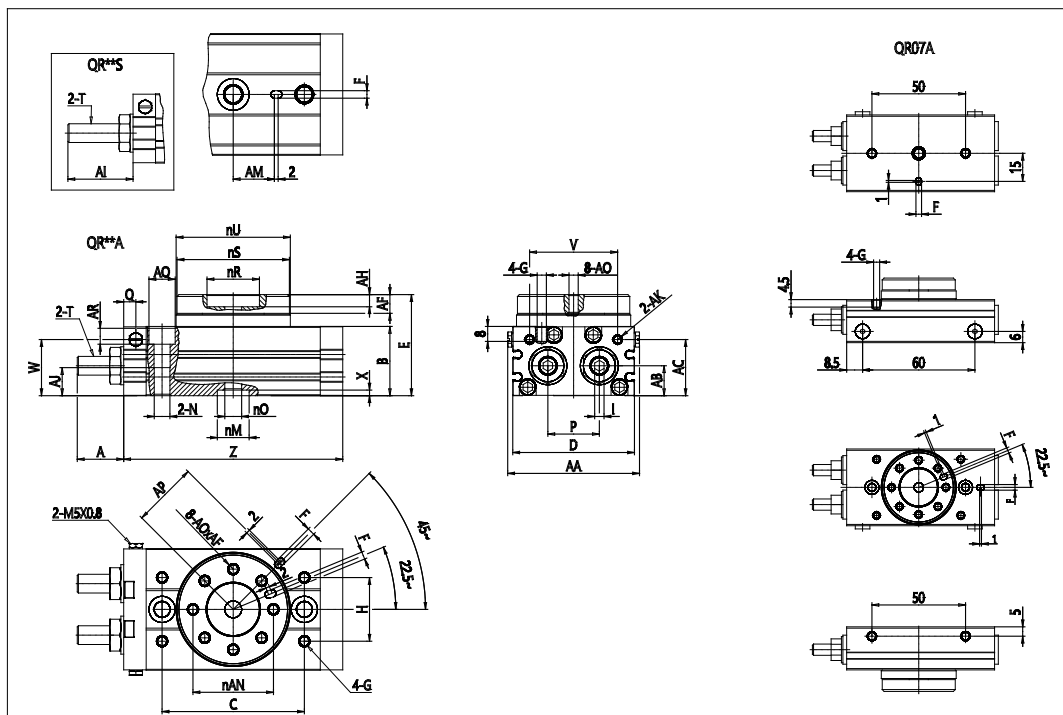


### TECHNICAL DATA

<b>Series</b>	QR
<b>Size</b>	07
<b>Cushion</b>	A = Mechanical stop

## Double rack rotary actuators - Series QR

Product code: QR07A



### DIMENSIONS

A (mm)	18.3
B (mm)	23
C (mm)	45
D (mm)	41
E (mm)	34.5
F (mm)	3
G	M4x0.7
H (mm)	30
I (mm)	3
L (mm)	0.0
(mm)	7
N	M5x0.8
O (mm)	6
P (mm)	18.4
Q (mm)	0.0
R (mm)	20
S (mm)	39
T	M6x1
U (mm)	40
V (mm)	0.0
W (mm)	0.0
X (mm)	0.0
Y	M5x0.8

Z (mm)	79
AA (mm)	42.7
AB (mm)	12.2
AC (mm)	0.0
AF (mm)	6.3
AH (mm)	3.0
AI (mm)	0.0
AJ (mm)	0
AK	-
AM (mm)	0
AN (mm)	29
AO	M4x0.7
AP (mm)	32
AQ (mm)	8
AR (mm)	4.5