

Double rack rotary actuators - Series QR

Product code: QR10A

Datasheet creation date: 07/03/2025 17:53

Check the most updated document online [click here](#)

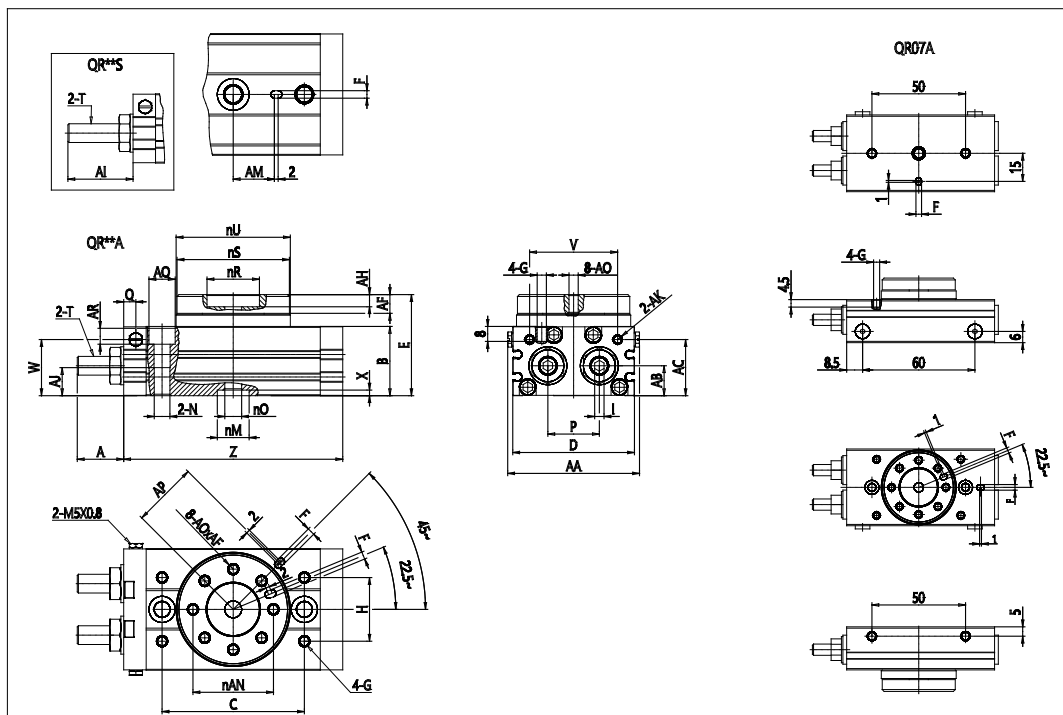


TECHNICAL DATA

Series	QR
Size	10
Cushion	A = Mechanical stop

Double rack rotary actuators - Series QR

Product code: QR10A



DIMENSIONS

A (mm)	17.3
B (mm)	34
C (mm)	60
D (mm)	50
E (mm)	47.0
F (mm)	3
G	M5x0.8
H (mm)	27
I (mm)	4
L (mm)	9.5
(mm)	15
N	M8x1.25
O (mm)	5
P (mm)	20.0
Q (mm)	5.0
R (mm)	20
S (mm)	45
T	M8x1
U (mm)	46
V (mm)	34.5
W (mm)	28.0
X (mm)	3.5
Y	M8x1.25

Z (mm)	92
AA (mm)	55.4
AB (mm)	15.5
AC (mm)	28.0
AF (mm)	8.0
AH (mm)	4.5
AI (mm)	30.9
AJ (mm)	12
AK	M5x0.8
AM (mm)	19
AN (mm)	32
AO	M5x0.8
AP (mm)	27
AQ (mm)	11
AR (mm)	6.5