

Double rack rotary actuators - Series QR

Product code: QR20A

Datasheet creation date: 07/03/2025 17:53

Check the most updated document online [click here](#)

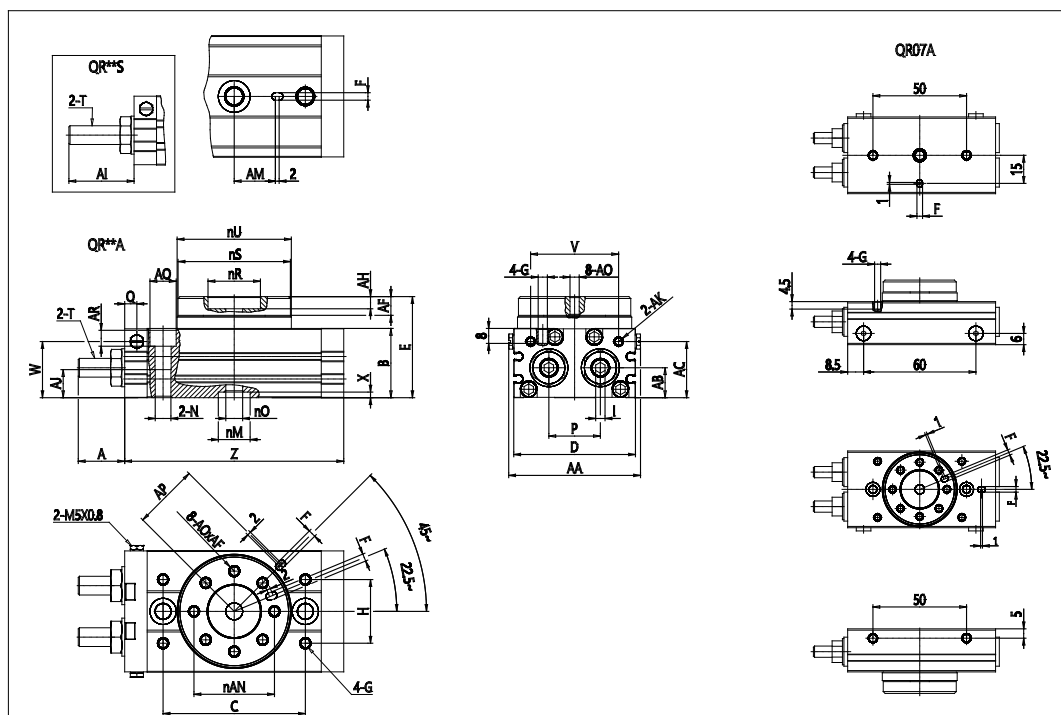


TECHNICAL DATA

Series	QR
Size	20
Cushion	A = Mechanical stop

Double rack rotary actuators - Series QR

Product code: QR20A



DIMENSIONS

A (mm)	24.8
B (mm)	37
C (mm)	76
D (mm)	65
E (mm)	54.0
F (mm)	4
G	M6x1
H (mm)	34
I (mm)	5
L (mm)	12.0
(mm)	17
N	M10x1.5
O (mm)	9
P (mm)	27.5
Q (mm)	6.5
R (mm)	28
S (mm)	60
T	M10x1
U (mm)	61
V (mm)	47.0
W (mm)	30.0
X (mm)	3.0
Y	M10x1.5

Z (mm)	117
AA (mm)	70.4
AB (mm)	16.0
AC (mm)	30.0
AF (mm)	10.0
AH (mm)	6.5
AI (mm)	34.8
AJ (mm)	15
AK	M5x0.8
AM (mm)	24
AN (mm)	43
AO	M6x1
AP (mm)	36
AQ (mm)	14
AR (mm)	8.5