

Double rack rotary actuators - Series QR

Product code: QR30S

Datasheet creation date: 07/03/2025 17:53

Check the most updated document online [click here](#)

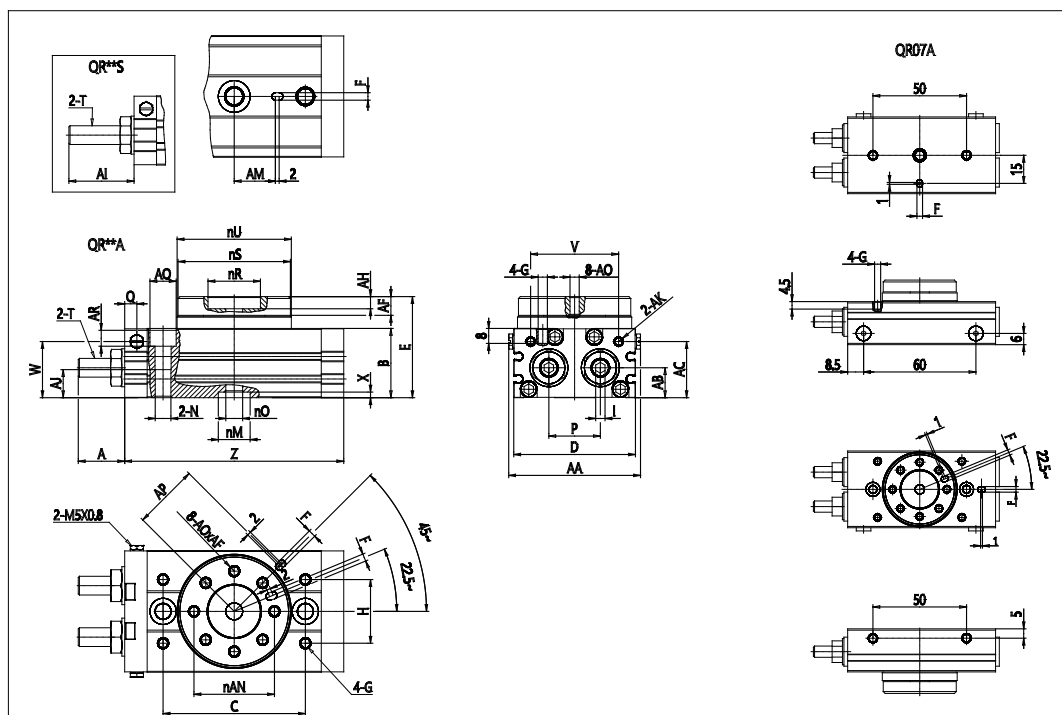


TECHNICAL DATA

Series	QR
Size	30
Cushion	S = Shock Absorber

Double rack rotary actuators - Series QR

Product code: QR30S



DIMENSIONS

A (mm)	24.8
B (mm)	40
C (mm)	84
D (mm)	70
E (mm)	57.0
F (mm)	4
G	M6x1
H (mm)	37
I (mm)	5
L (mm)	12.0
(mm)	22
N	M10x1.5
O (mm)	10
P (mm)	29.0
Q (mm)	7.0
R (mm)	32
S (mm)	65
T	M10x1
U (mm)	67
V (mm)	50.0
W (mm)	33.5
X (mm)	3.5
Y	M10x1.5

Z (mm)	127
AA (mm)	75.0
AB (mm)	18.5
AC (mm)	32.0
AF (mm)	10.0
AH (mm)	5.0
AI (mm)	34.8
AJ (mm)	15
AK	G1/8
AM (mm)	28
AN (mm)	48
AO	M6x1
AP (mm)	39
AQ (mm)	14
AR (mm)	8.5