

## Double rack rotary actuators - Series QR

Product code: QR50A

Datasheet creation date: 07/03/2025 17:53

Check the most updated document online [click here](#)

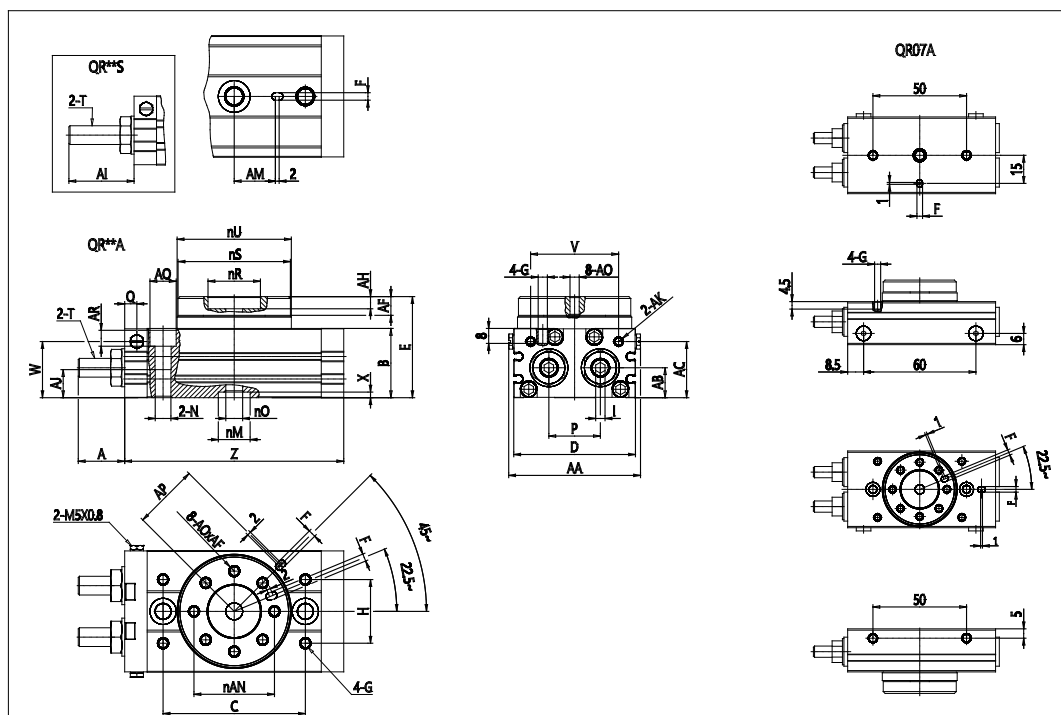


### TECHNICAL DATA

<b>Series</b>	QR
<b>Size</b>	50
<b>Cushion</b>	A = Mechanical stop

## Double rack rotary actuators - Series QR

Product code: QR50A



### DIMENSIONS

A (mm)	31.3
B (mm)	46
C (mm)	100
D (mm)	80
E (mm)	66.0
F (mm)	5
G	M8x1.25
H (mm)	50
I (mm)	6
L (mm)	15.5
(mm)	26
N	M12x1.75
O (mm)	11
P (mm)	38.0
Q (mm)	10.0
R (mm)	35
S (mm)	75
T	M14x1.5
U (mm)	77
V (mm)	63.0
W (mm)	37.5
X (mm)	3.5
Y	M12x1.75

Z (mm)	152
AA (mm)	85.0
AB (mm)	22.0
AC (mm)	37.5
AF (mm)	12.0
AH (mm)	5.5
AI (mm)	51.3
AJ (mm)	18
AK	G1/8
AM (mm)	33
AN (mm)	55
AO	M8x1.25
AP (mm)	45
AQ (mm)	18
AR (mm)	10.5