

Bidirectional flow controller - Series RFO

Product code: RFO 346-1/4

Datasheet creation date: 10/03/2025 12:14

Check the most updated document online [click here](#)

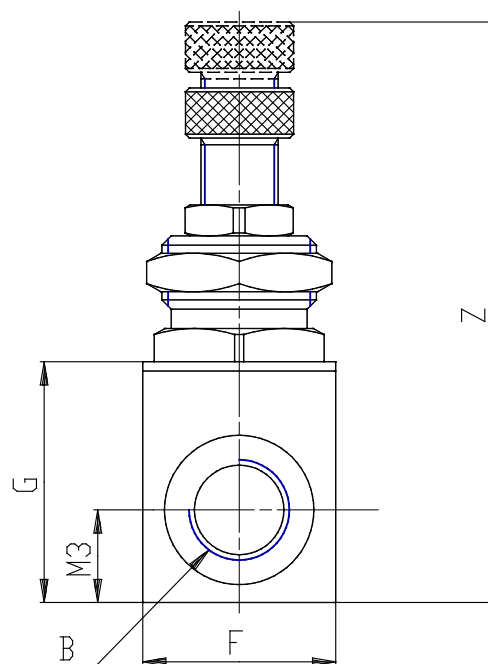
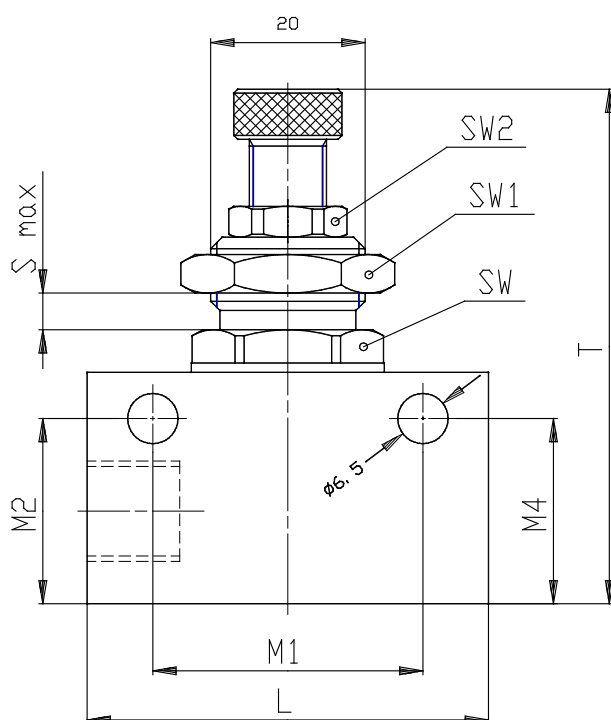


TECHNICAL DATA

Mod.	RFO 346-1/4
------	-------------

Bidirectional flow controller - Series RFO

Product code: RFO 346-1/4



DIMENSIONS

Ø N (mm)	6.0
A	M 20x1.5
B	G1/4
D (mm)	6.5
F (mm)	25
G (mm)	30
L (mm)	52
M1 (mm)	35.0
M2 (mm)	24.0
M3 (mm)	12
M4 (mm)	24.0
T (mm)	60
Z (mm)	69.0
S MAX (mm)	7
SW (mm)	22
SW1 (mm)	24
SW2 (mm)	14