

## Bidirectional flow controller - Series RFO

Product code: RFO 352-M5

Datasheet creation date: 10/03/2025 12:14

Check the most updated document online [click here](#)

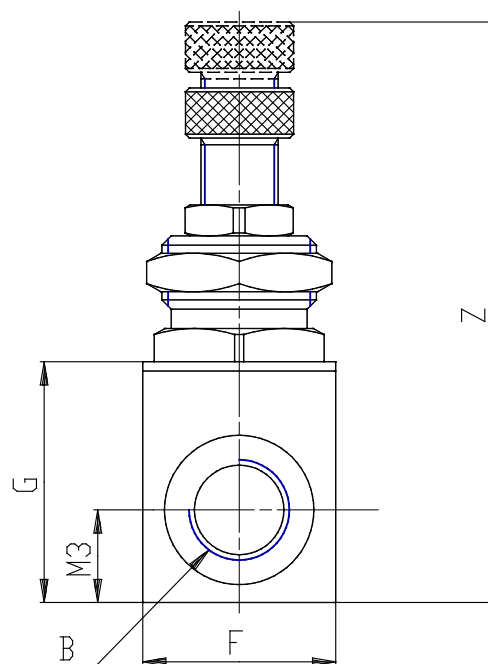
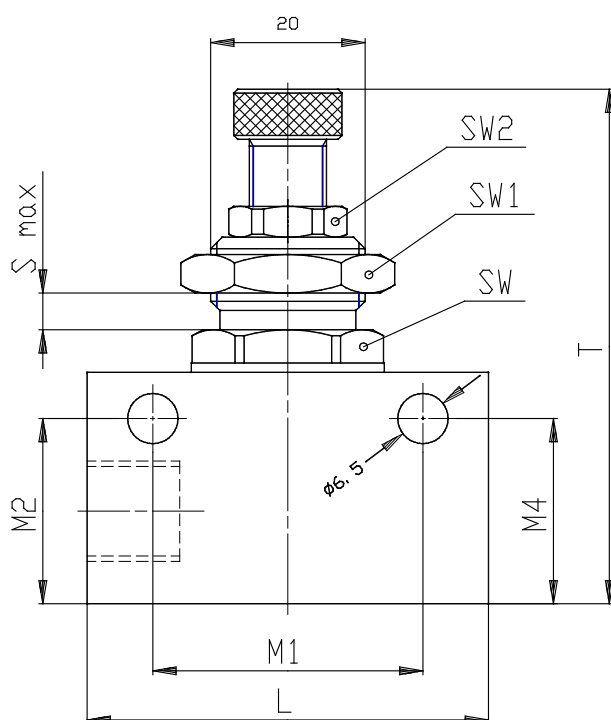


### TECHNICAL DATA

Mod.	RFO 352-M5
------	------------

## Bidirectional flow controller - Series RFO

Product code: RFO 352-M5



### DIMENSIONS

Ø N (mm)	1.5
A	M 10x1
B	M5
D (mm)	4.2
F (mm)	14
G (mm)	16
L (mm)	26
M1 (mm)	18.5
M2 (mm)	13.2
M3 (mm)	7
M4 (mm)	13.2
T (mm)	39
Z (mm)	44.5
S MAX (mm)	3
SW (mm)	12
SW1 (mm)	14
SW2 (mm)	8