

## Unidirectional flow controller - Series RFU

Product code: RFU 444-04

Datasheet creation date: 10/03/2025 12:14

Check the most updated document online [click here](#)

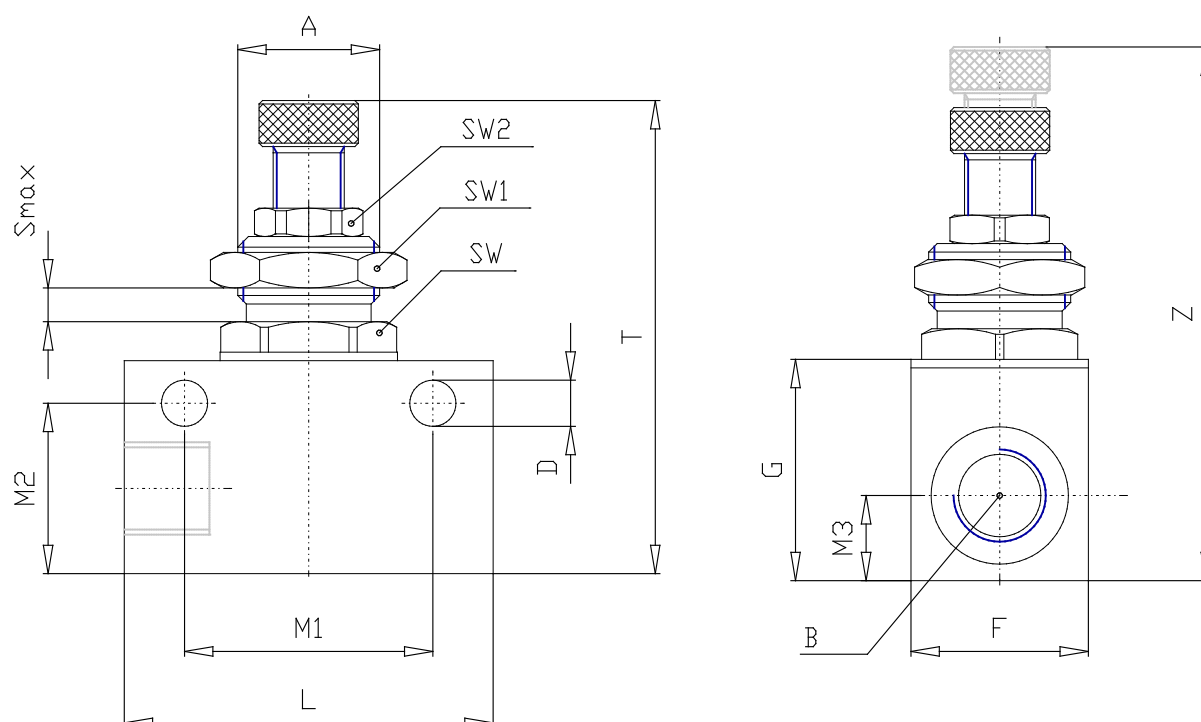


### TECHNICAL DATA

Mod.	RFU 444-04
------	------------

## Unidirectional flow controller - Series RFU

Product code: RFU 444-04



### DIMENSIONS

<b>A (mm)</b>	M 20x1.5
<b>B (UNF NPTF)</b>	1/4
<b>H (INCH)</b>	0.492
<b>D (INCH)</b>	0.256
<b>F (INCH)</b>	0.984
<b>G (INCH)</b>	1.181
<b>L (INCH)</b>	2.047
<b>M1 (INCH)</b>	1.378
<b>M2 (INCH)</b>	0.945
<b>M3 (INCH)</b>	0.472
<b>T (INCH)</b>	2.362
<b>Z (INCH)</b>	2.717
<b>SMAX (INCH)</b>	0.276
<b>SW (INCH)</b>	0.866
<b>SW1 (INCH)</b>	0.945
<b>SW2 (INCH)</b>	0.551