

Unidirectional flow controller - Series RFU

Product code: RFU 444-1/4

Datasheet creation date: 10/03/2025 12:14

Check the most updated document online [click here](#)

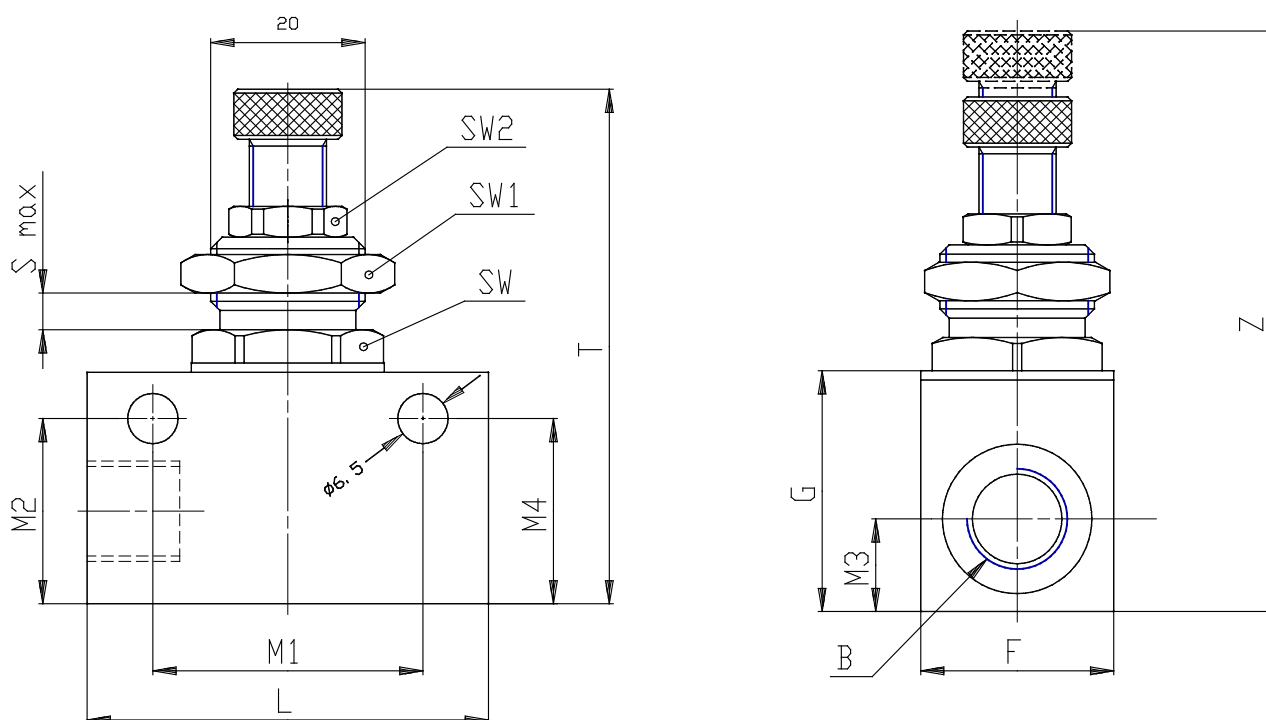


TECHNICAL DATA

MOD (Mod.)	RFU 444-1/4
------------	-------------

Unidirectional flow controller - Series RFU

Product code: RFU 444-1/4



DIMENSIONS

PHYN (Ø / mm)	4.0
A (A)	M 20x1.5
B (B)	G1/4
D (D / mm)	6.5
F (F / mm)	25
G (G / mm)	30
L (L / mm)	52
M1 (M1 / mm)	35.0
M2 (M2 / mm)	24.0
M3 (M3 / mm)	12
M4 (M4 / mm)	24.0
T (T / mm)	60
Z (Z / mm)	69.0
S MAX (S MAX / mm)	7
SW (SW / mm)	22
SW1 (SW1 / mm)	24
SW2 (SW2 / mm)	14