

Unidirectional flow controller - Series RFU

Product code: RFU 446-04

Datasheet creation date: 10/03/2025 12:14

Check the most updated document online [click here](#)

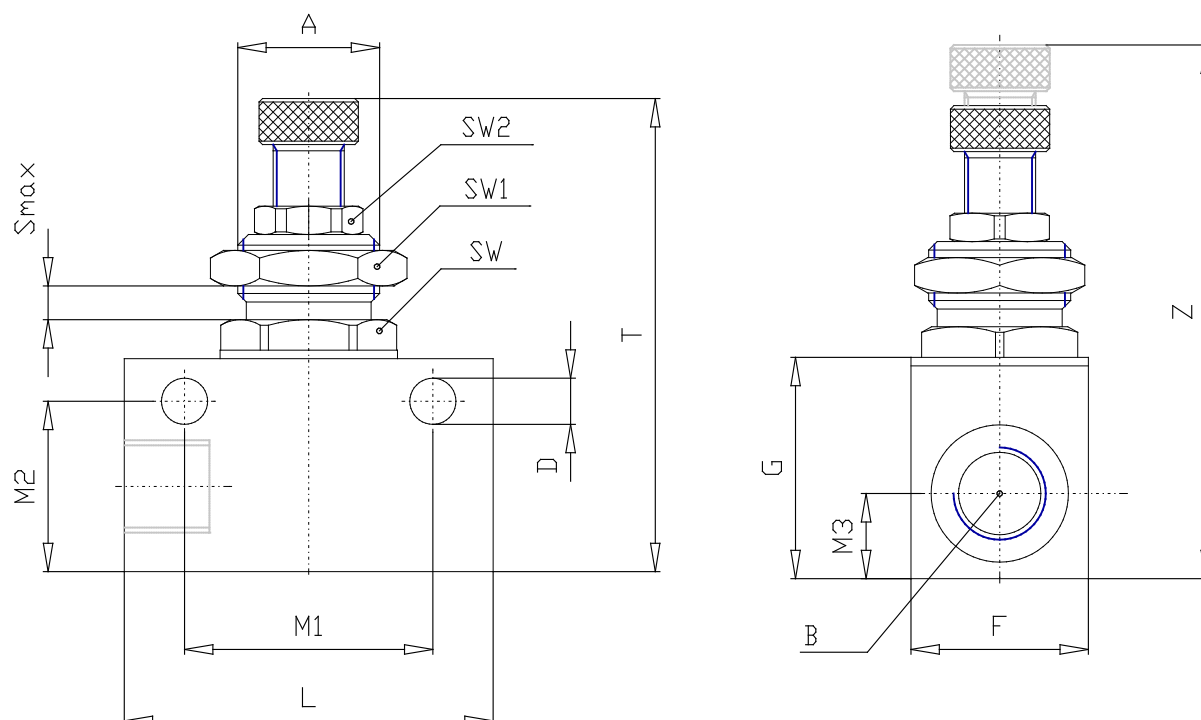


TECHNICAL DATA

Mod.	RFU 446-04
------	------------

Unidirectional flow controller - Series RFU

Product code: RFU 446-04



DIMENSIONS

A (mm)	M 20x1.5
B (UNF NPTF)	1/4
H (INCH)	0.492
D (INCH)	0.256
F (INCH)	0.984
G (INCH)	1.181
L (INCH)	2.047
M1 (INCH)	1.378
M2 (INCH)	0.945
M3 (INCH)	0.472
T (INCH)	2.362
Z (INCH)	2.717
SMAX (INCH)	0.276
SW (INCH)	0.866
SW1 (INCH)	0.945
SW2 (INCH)	0.551