

Unidirectional flow controller - Series RFU

Product code: RFU 446-1/4

Datasheet creation date: 10/03/2025 12:14

Check the most updated document online [click here](#)

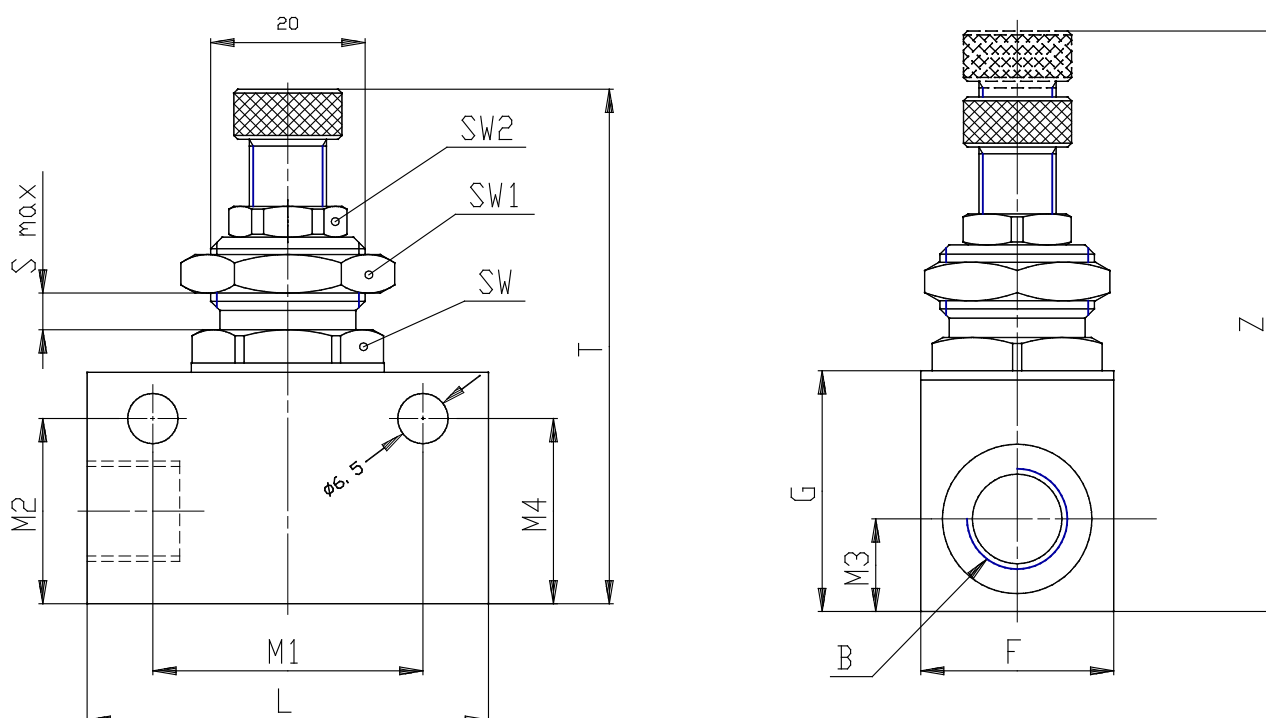


TECHNICAL DATA

| | |
|------------|-------------|
| MOD (Mod.) | RFU 446-1/4 |
|------------|-------------|

Unidirectional flow controller - Series RFU

Product code: RFU 446-1/4



DIMENSIONS

| | |
|--------------------|----------|
| PHYN (Ø / mm) | 6.0 |
| A (A) | M 20x1.5 |
| B (B) | G1/4 |
| D (D / mm) | 6.5 |
| F (F / mm) | 25 |
| G (G / mm) | 30 |
| L (L / mm) | 52 |
| M1 (M1 / mm) | 35.0 |
| M2 (M2 / mm) | 24.0 |
| M3 (M3 / mm) | 12 |
| M4 (M4 / mm) | 24.0 |
| T (T / mm) | 60 |
| Z (Z / mm) | 69.0 |
| S MAX (S MAX / mm) | 7 |
| SW (SW / mm) | 22 |
| SW1 (SW1 / mm) | 24 |
| SW2 (SW2 / mm) | 14 |