

Unidirectional flow controller - Series RFU

Product code: RFU 452-M5

Datasheet creation date: 10/03/2025 12:14

Check the most updated document online [click here](#)

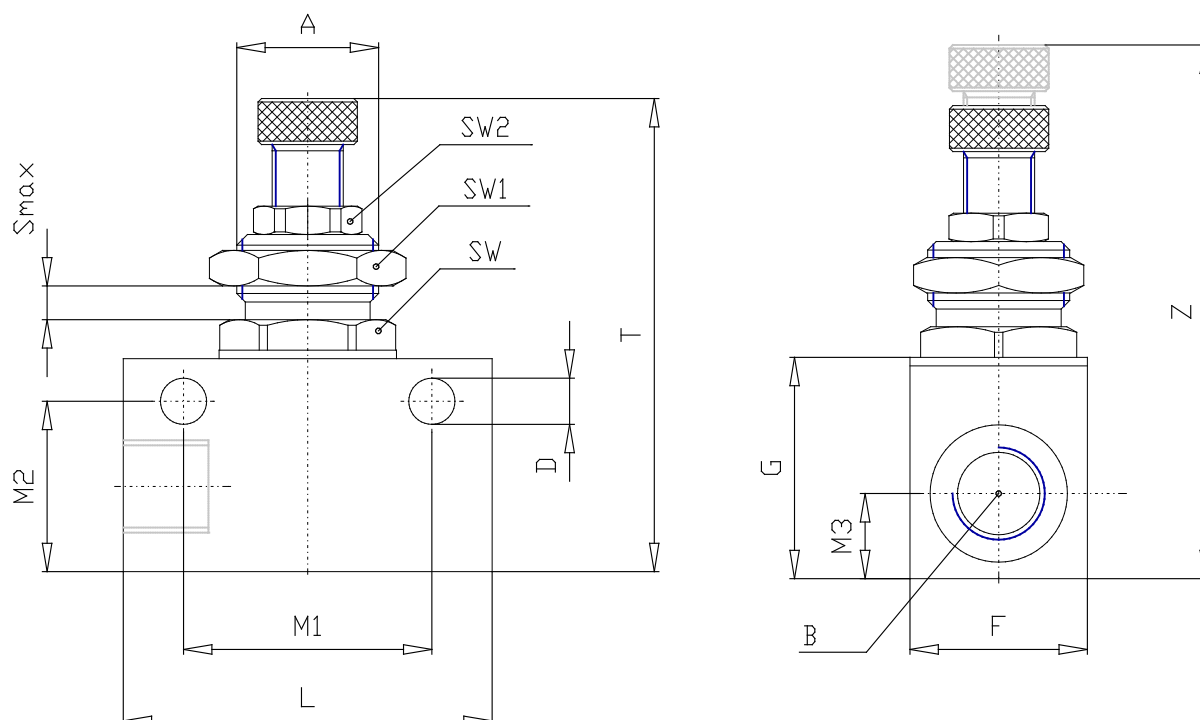


TECHNICAL DATA

Mod.	RFU 452-M5
------	------------

Unidirectional flow controller - Series RFU

Product code: RFU 452-M5



DIMENSIONS

A (mm)	M 10x1
B (UNF NPTF)	10-32
H (INCH)	0.256
D (INCH)	0.165
F (INCH)	0.551
G (INCH)	0.630
L (INCH)	1.024
M1 (INCH)	0.728
M2 (INCH)	0.520
M3 (INCH)	0.276
T (INCH)	1.535
Z (INCH)	1.752
SMAX (INCH)	0.118
SW (INCH)	0.472
SW1 (INCH)	0.551
SW2 (INCH)	0.315