

## Short stroke antirotation cylinders - Series RPA

Product code: RPA30R015A20

Datasheet creation date: 10/03/2025 00:15

Check the most updated document online [click here](#)

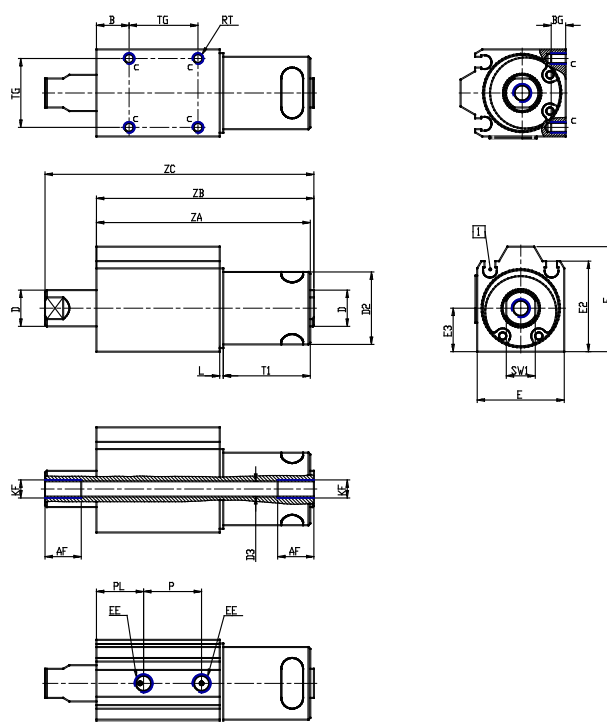


### TECHNICAL DATA

|                      |                   |
|----------------------|-------------------|
| <b>Series</b>        | RPA               |
| <b>Diameter (mm)</b> | 30                |
| <b>Version</b>       | R = Anti-rotation |
| <b>Stroke (mm)</b>   | 15                |
| <b>Construction</b>  | A = Standard      |
| <b>Stud (mm)</b>     | 20 = 20mm         |

## Short stroke antirotation cylinders - Series RPA

Product code: RPA30R015A20



### DIMENSIONS

|          |       |
|----------|-------|
| AF (mm)  | 10    |
| B (mm)   | 7     |
| BG (mm)  | 6     |
| D (mm)   | 15    |
| D2 (mm)  | 20    |
| D3 (mm)  | 8.8   |
| E (mm)   | 34    |
| E2 (mm)  | 35    |
| E3 (mm)  | 17    |
| F (mm)   | 39    |
| KF (mm)  | 9.728 |
| L (mm)   | 3     |
| P (mm)   | 23.3  |
| PL (mm)  | 10.1  |
| R (mm)   | 13    |
| RT (mm)  | 4     |
| SW1 (mm) | 13    |
| T1 (mm)  | 25    |
| TG (mm)  | 28    |
| ZA (mm)  | 67    |
| ZB (mm)  | 68    |
| ZC (mm)  | 87.2  |