

Short stroke antirotation cylinders - Series RPA

Product code: RPA30R030A20

Datasheet creation date: 10/03/2025 00:15

Check the most updated document online [click here](#)

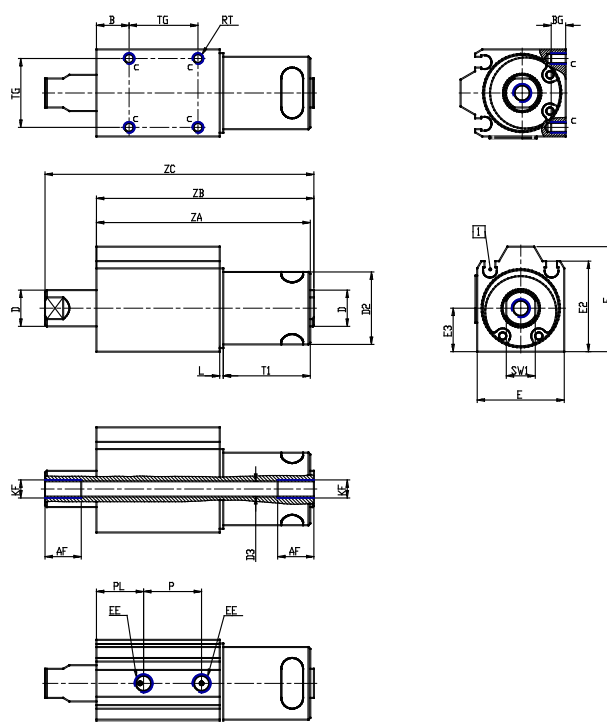


TECHNICAL DATA

Series	RPA
Diameter (mm)	30
Version	R = Anti-rotation
Stroke (mm)	30
Construction	A = Standard
Stud (mm)	20 = 20mm

Short stroke antirotation cylinders - Series RPA

Product code: RPA30R030A20



DIMENSIONS

AF (mm)	10
B (mm)	7
BG (mm)	6
D (mm)	15
D2 (mm)	20
D3 (mm)	8.8
E (mm)	34
E2 (mm)	35
E3 (mm)	17
F (mm)	39
KF (mm)	9.728
L (mm)	3
P (mm)	38.3
PL (mm)	10.1
R (mm)	13
RT (mm)	4
SW1 (mm)	13
T1 (mm)	38
TG (mm)	28
ZA (mm)	95
ZB (mm)	96
ZC (mm)	130.2