

## Short stroke antirotation cylinders - Series RPA

Product code: RPA30R050A20

Datasheet creation date: 10/03/2025 00:15

Check the most updated document online [click here](#)

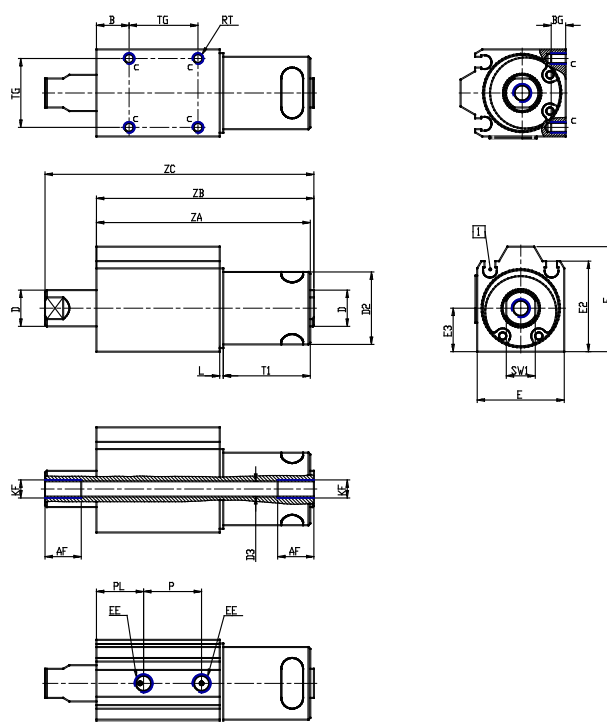


### TECHNICAL DATA

<b>Series</b>	RPA
<b>Diameter (mm)</b>	30
<b>Version</b>	R = Anti-rotation
<b>Stroke (mm)</b>	50
<b>Construction</b>	A = Standard
<b>Stud (mm)</b>	20 = 20mm

## Short stroke antirotation cylinders - Series RPA

Product code: RPA30R050A20



### DIMENSIONS

AF (mm)	10
B (mm)	27
BG (mm)	6
D (mm)	15
D2 (mm)	20
D3 (mm)	8.8
E (mm)	34
E2 (mm)	35
E3 (mm)	17
F (mm)	39
KF (mm)	9.728
L (mm)	3
P (mm)	58.3
PL (mm)	10.1
R (mm)	13
RT (mm)	4
SW1 (mm)	13
T1 (mm)	58
TG (mm)	28
ZA (mm)	135
ZB (mm)	136
ZC (mm)	190.2