

Sprue grippers - Series RPGA

Product code: RPGA-20-B

Datasheet creation date: 10/03/2025 02:38

Check the most updated document online [click here](#)

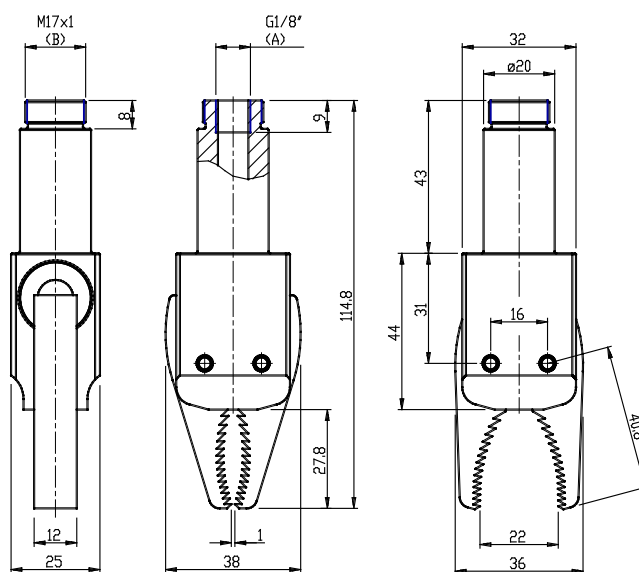


TECHNICAL DATA

Series	RPGA
Bore	20
Construction	B = Curved finger

Sprue grippers - Series RPGA

Product code: RPGA-20-B



A = Port connection
B = Mounting thread

Mod.
RPGA-20-B

DIMENSIONS

Series	RPGA
Bore	20
Construction	B = Curved finger