

Sprue grippers - Series RPGA

Product code: RPGA-20-C

Datasheet creation date: 10/03/2025 02:38

Check the most updated document online [click here](#)

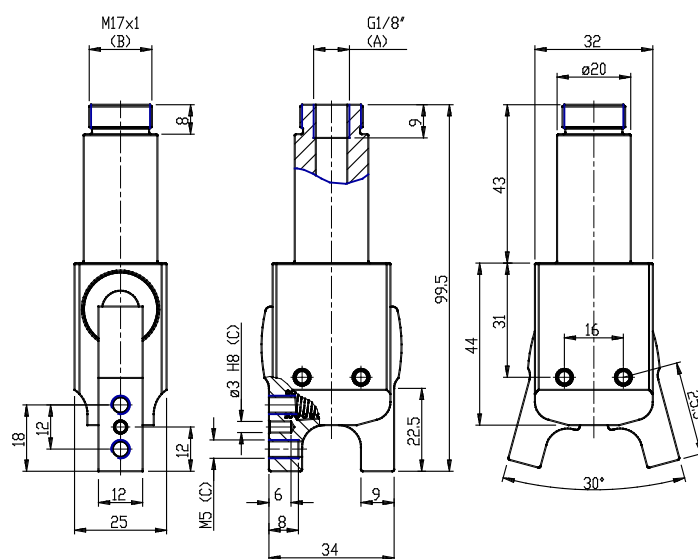


TECHNICAL DATA

Series	RPGA
Bore	20
Construction	C = Short finger with holes for extra jaws

Sprue grippers - Series RPGA

Product code: RPGA-20-C



A = Port connection
B = Mounting thread
C = Mounting holes

Mod.
RPGA-20-C

DIMENSIONS

Series	RPGA
Bore	20
Construction	C = Short finger with holes for extra jaws