

Sprue grippers - Series RPGA

Product code: RPGA-20-E

Datasheet creation date: 10/03/2025 02:38

Check the most updated document online [click here](#)

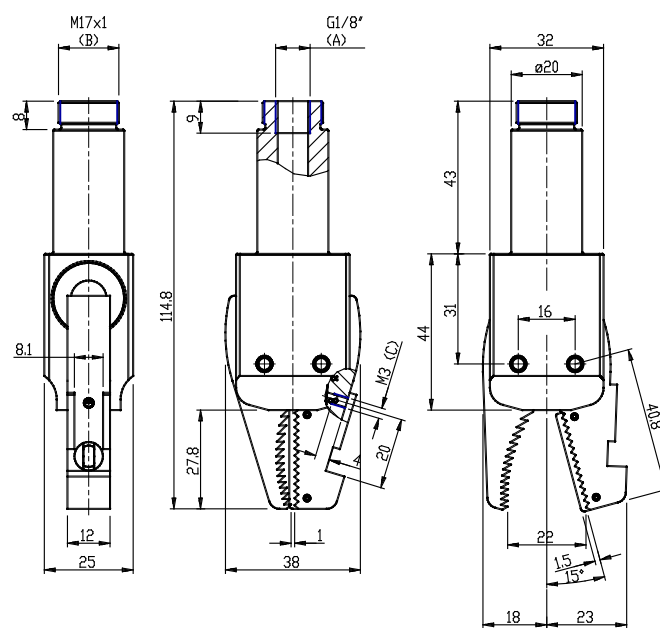


TECHNICAL DATA

| | |
|---------------------|------------------------------|
| Series | RPGA |
| Bore | 20 |
| Construction | E = Curved finger for sensor |

Sprue grippers - Series RPGA

Product code: RPGA-20-E



A = Port connection
B = Mounting thread
C = Sensor mounting hole

Mod.
RPGA-20-E

DIMENSIONS

| | |
|---------------------|------------------------------|
| Series | RPGA |
| Bore | 20 |
| Construction | E = Curved finger for sensor |