

Sprue grippers - Series RPGB

Product code: RPGB-08-D

Datasheet creation date: 10/03/2025 02:38

Check the most updated document online [click here](#)

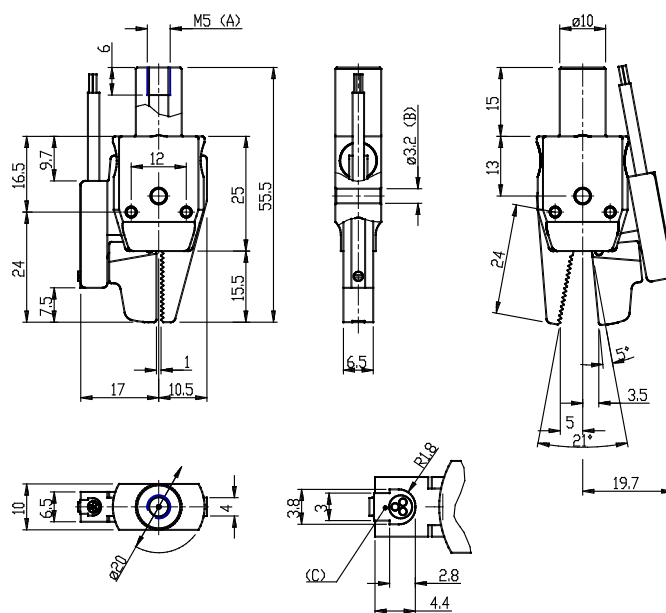


TECHNICAL DATA

Mod.	RPGB-08-D
------	-----------

Sprue grippers - Series RPGB

Product code: RPGB-08-D



A = Port connection
B = Mounting hole
C = Sensor groove

Mod.
RPGB-08-D

DIMENSIONS

Series	RPGB
Size (mm)	08=Ø8 mm
Construction (mm)	D = Flat finger with sensor mounted (CSD-D-364)